

50mm LED FORMULATE

INSTRUCTIONS

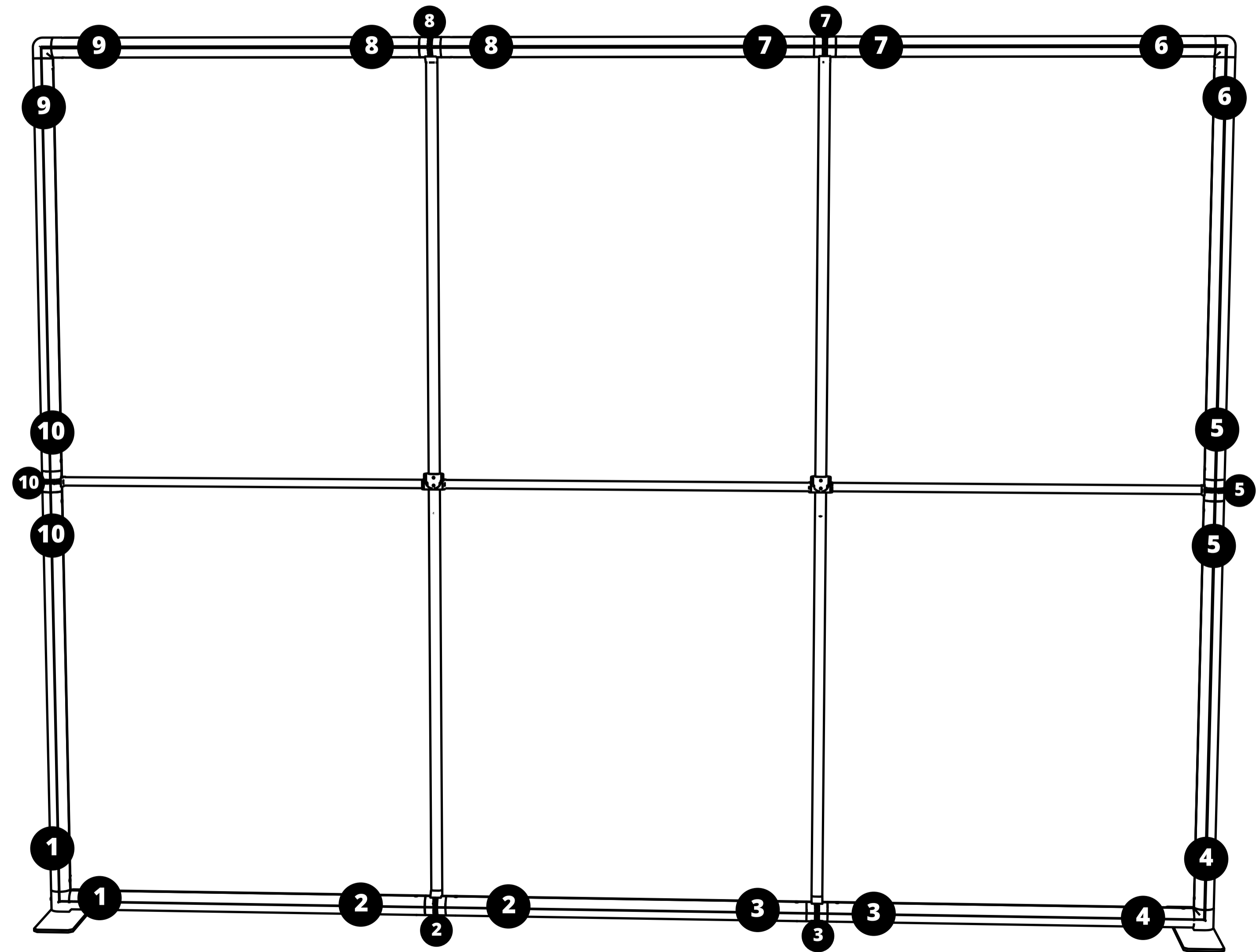
DISCLAIMER: THE STANDARD WIDTH IS 3 M,
BUT IT CAN BE REDUCED TO 2 M OR 1 M



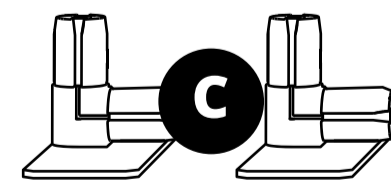
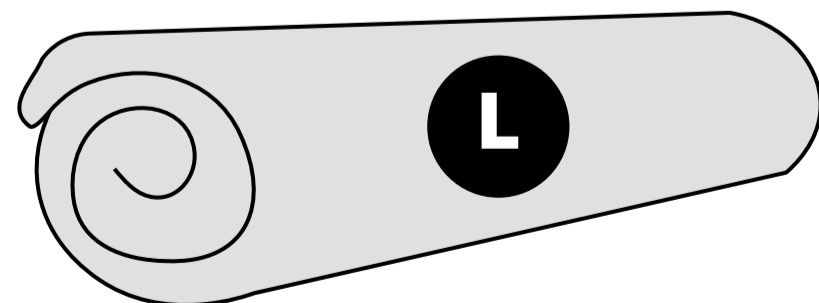
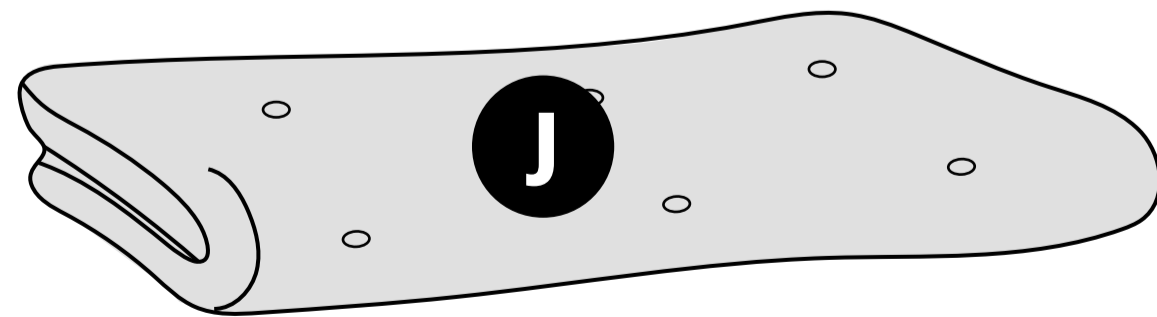
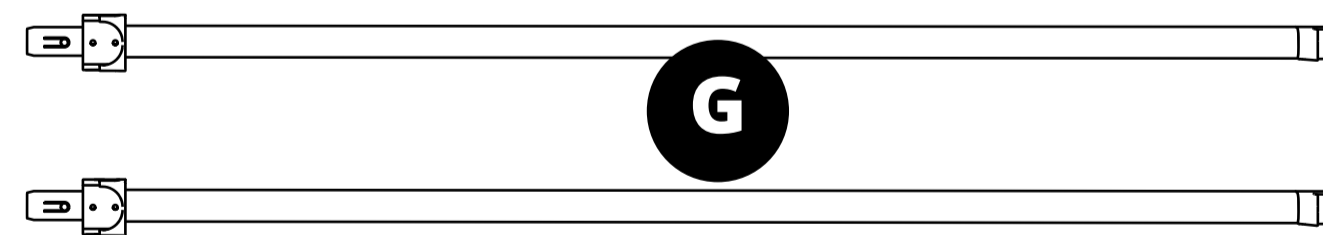
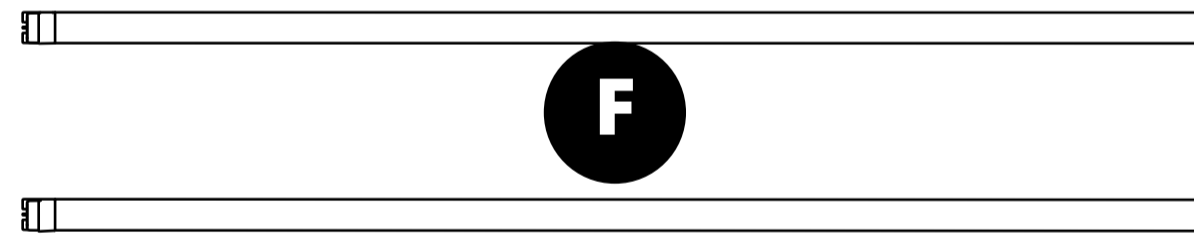
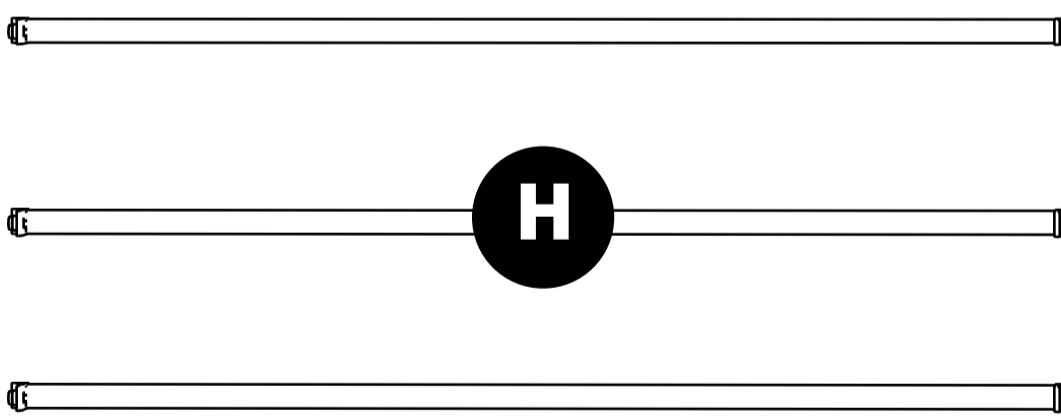
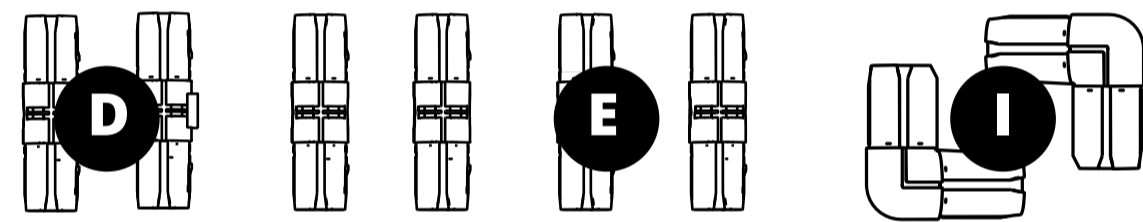
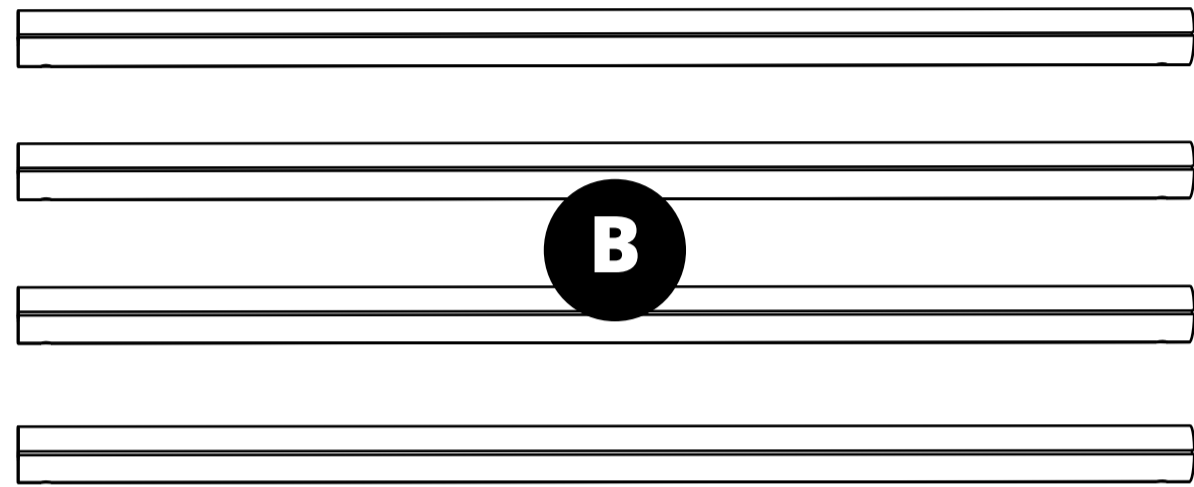
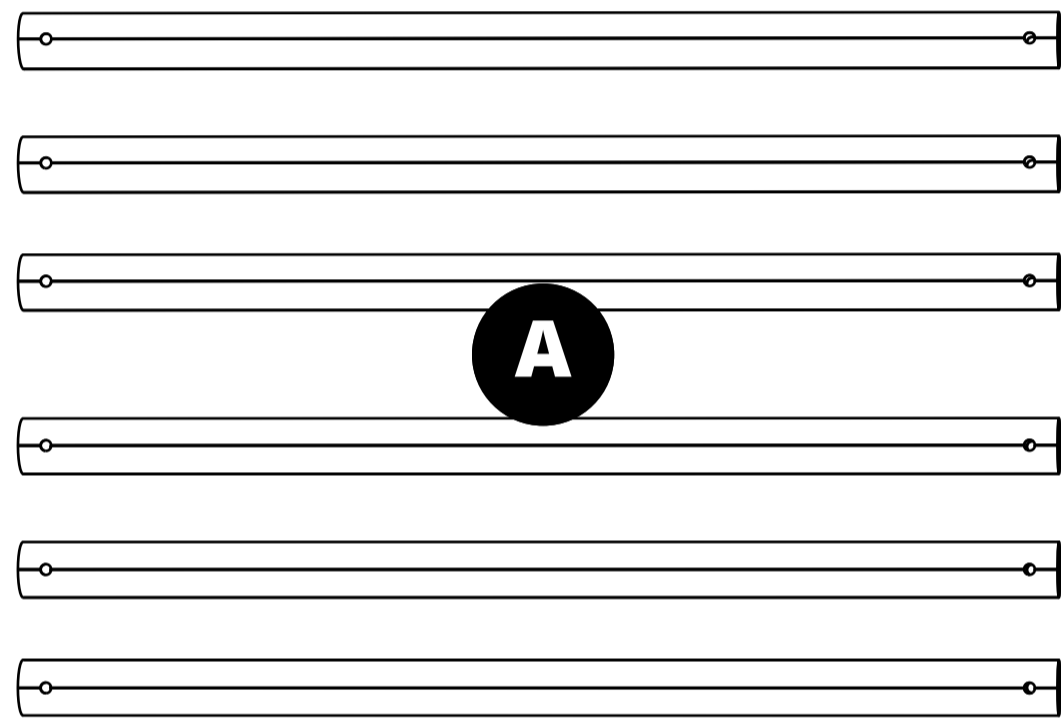
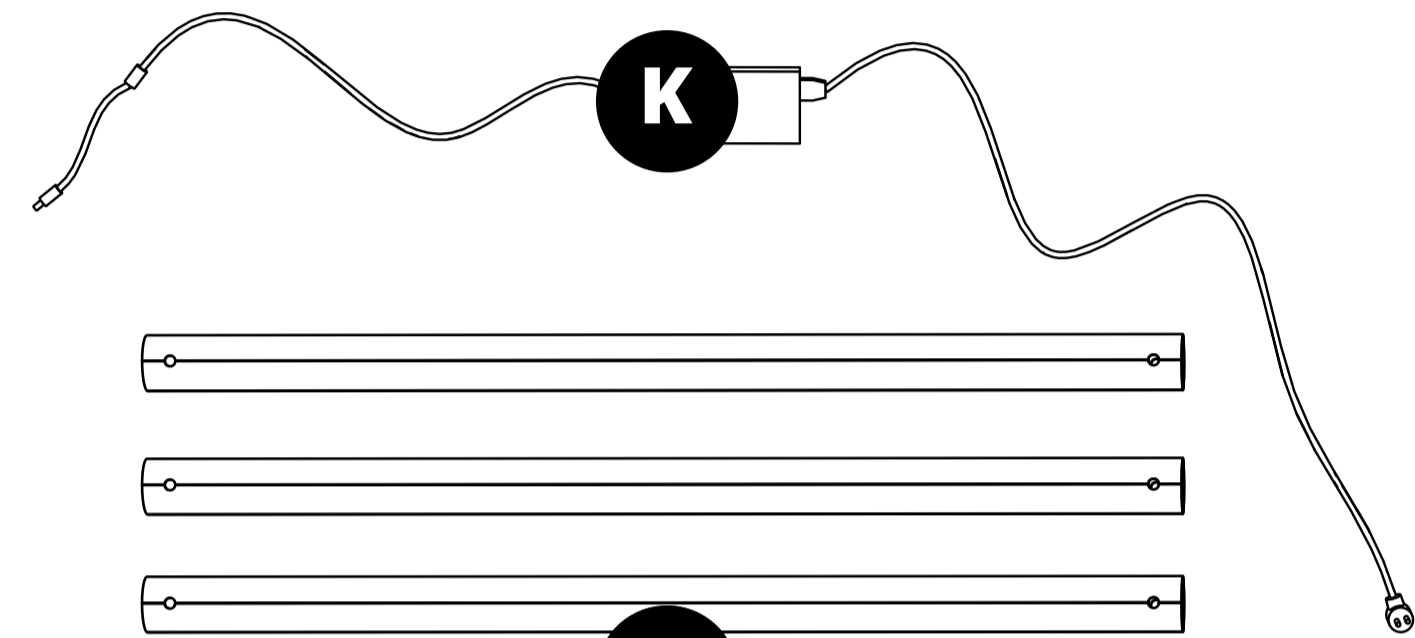
LED FORMULATE

Assembled Labelling: Most parts are numbered and should slot in accordingly.

The standard width is 3m, but it can be reduced to 2m or 1m

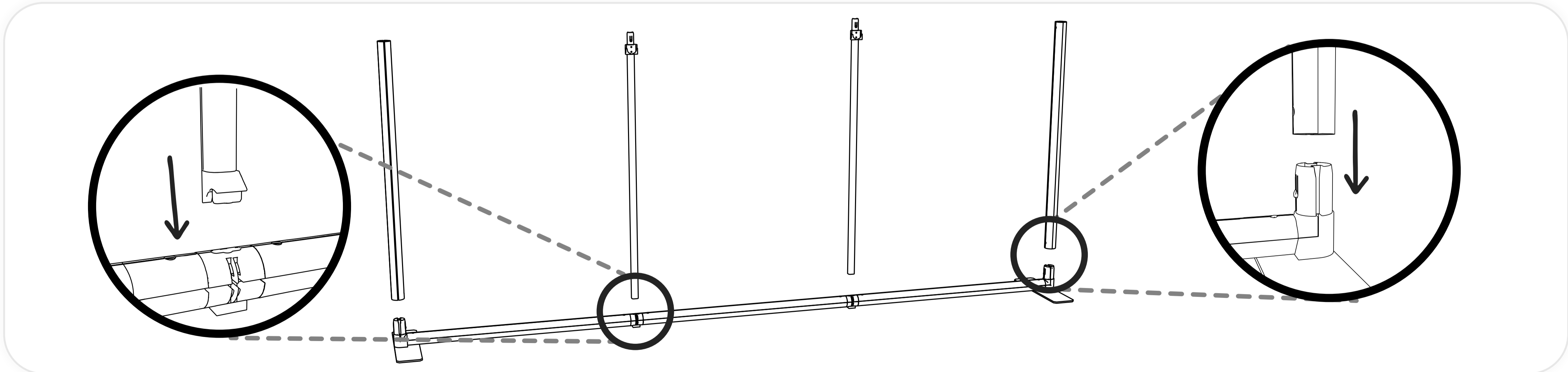
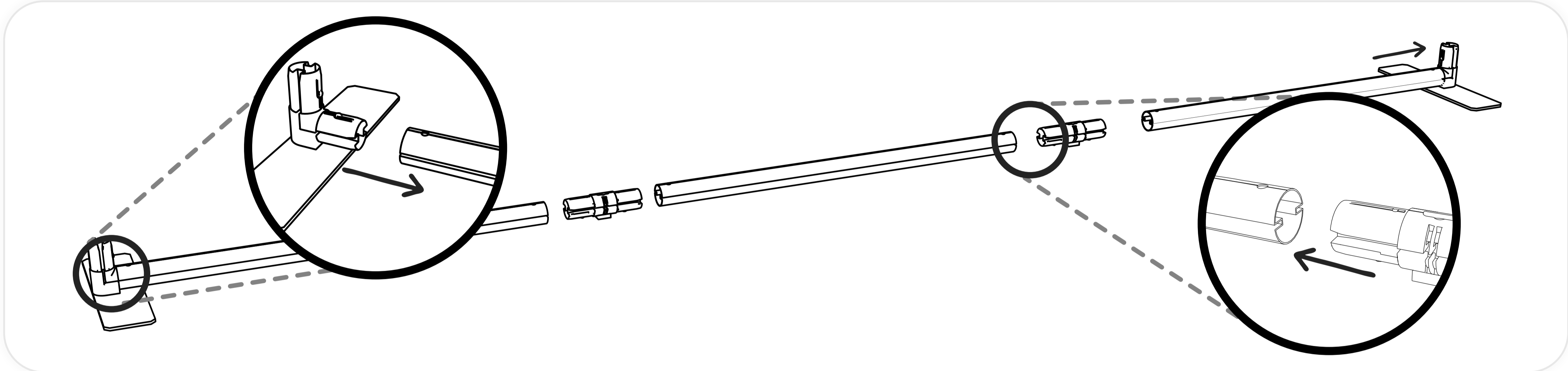


LED FORMULATE

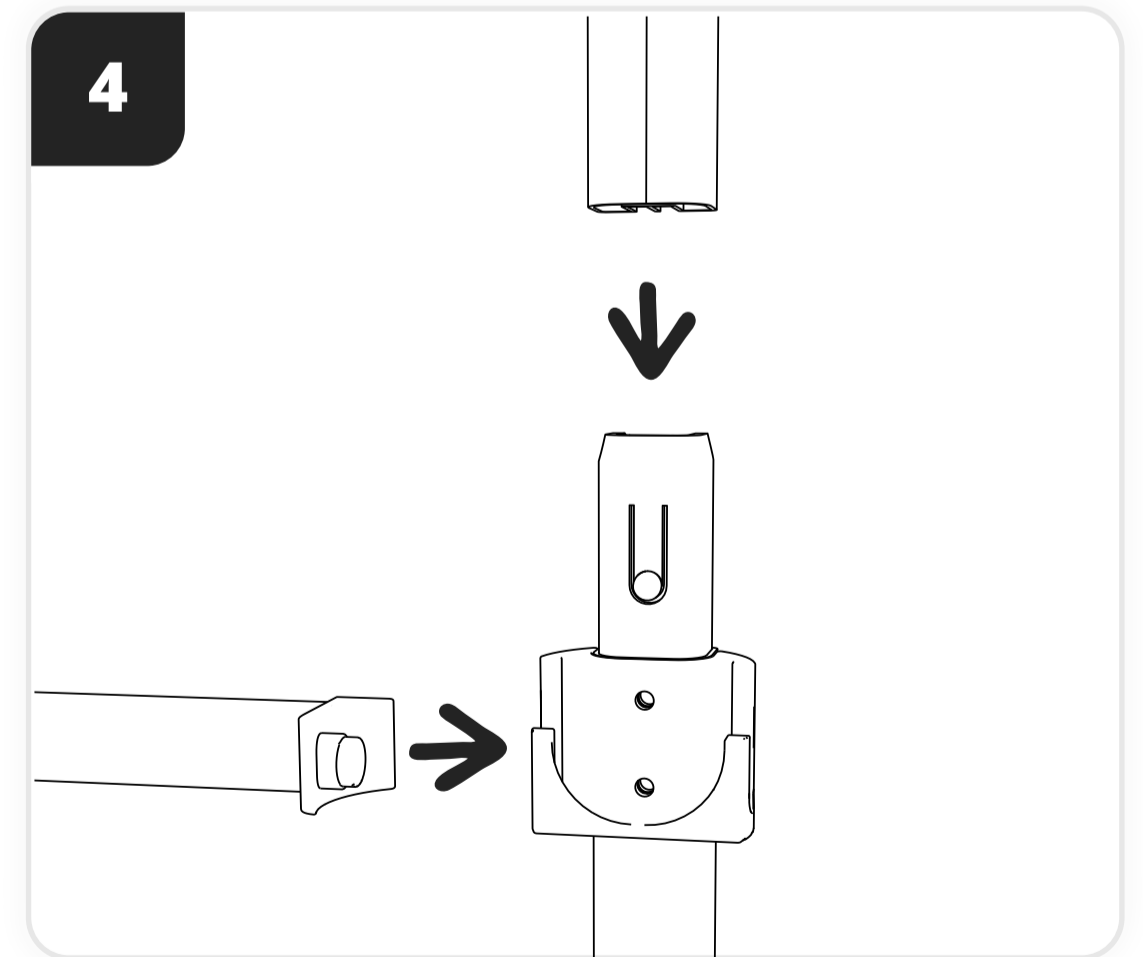
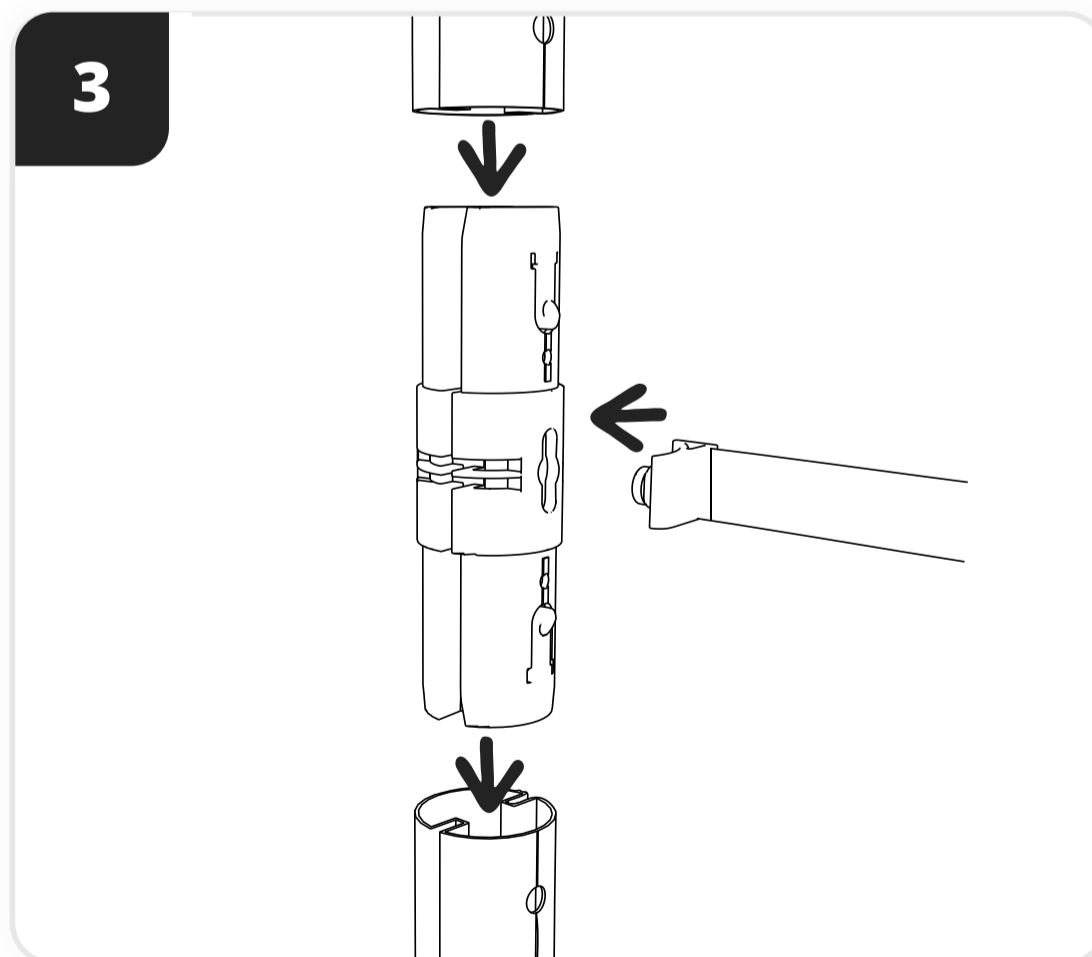
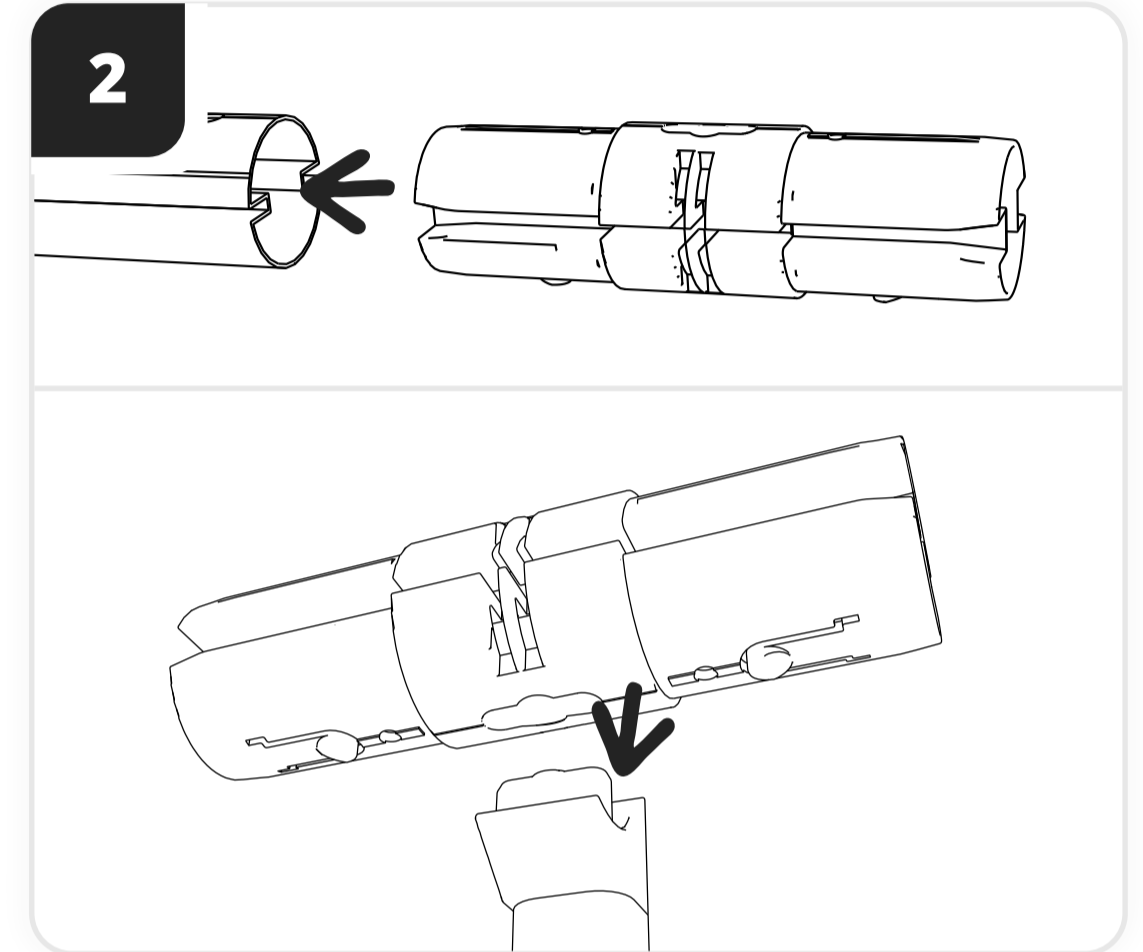
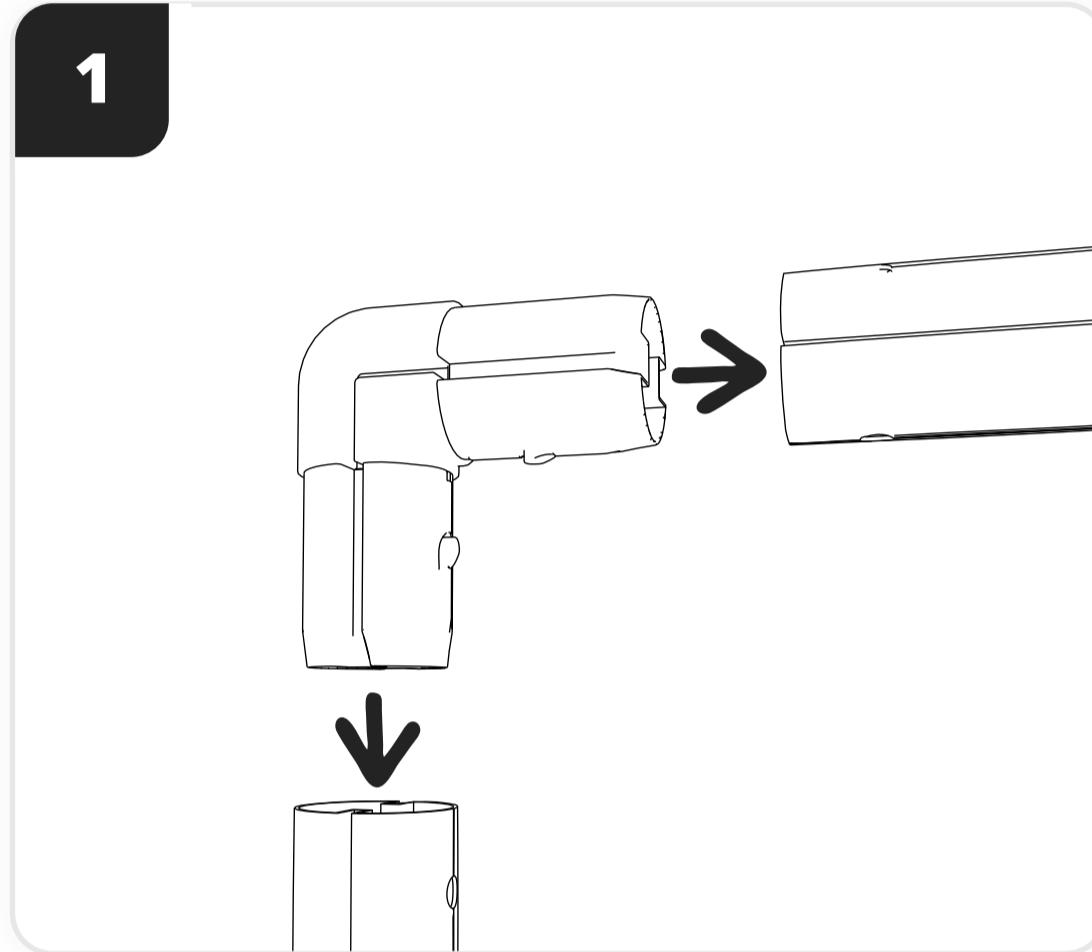
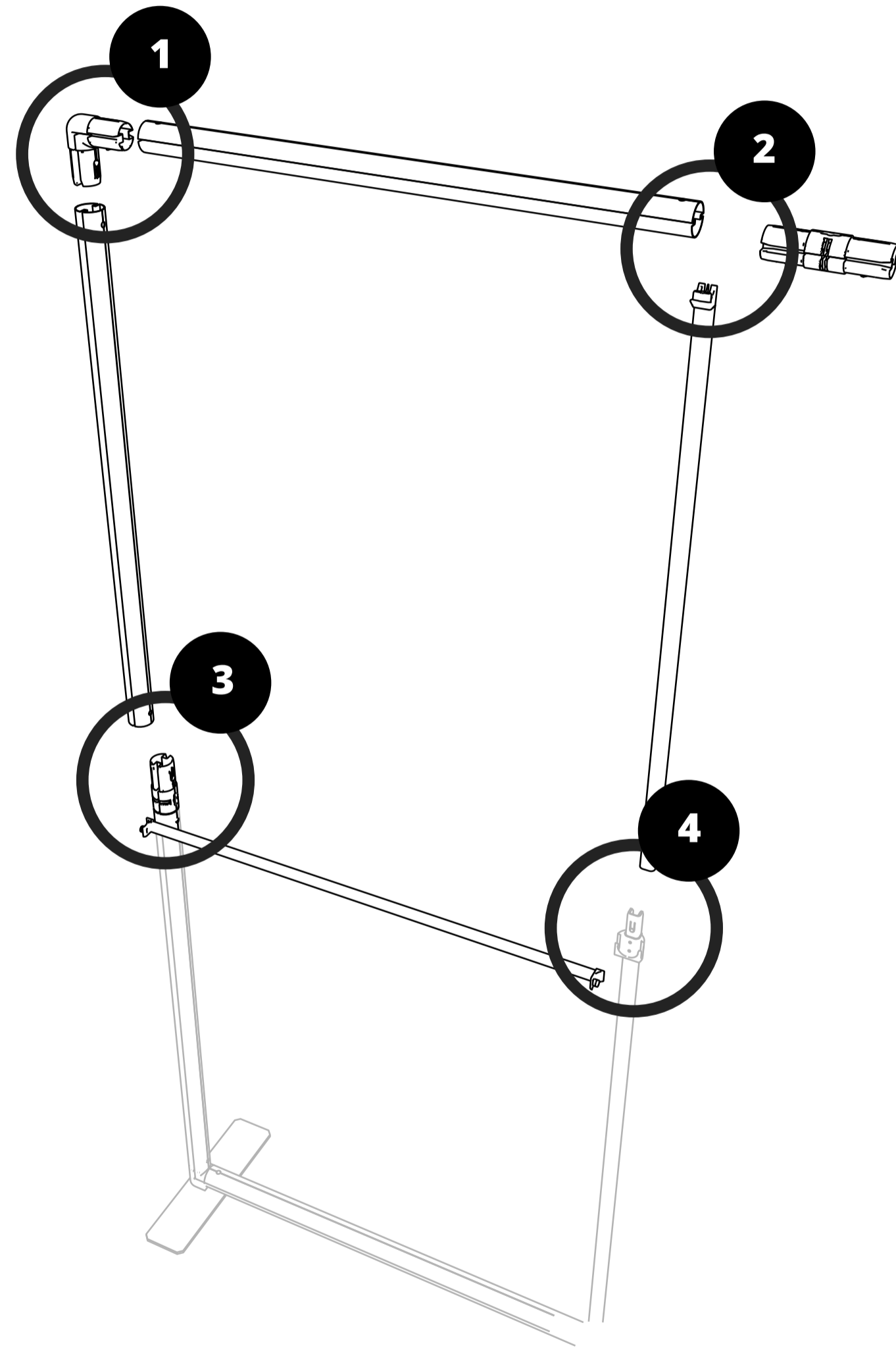


A	50mm Formulate Poles (Horizontal)	x6
B	50mm Formulate Poles (Vertical)	x4
C	Corner Fittings With Feet	x2
D	Middle Connectors (With Feet)	x2
E	Middle Connectors	x4
F	Vertical Support Beam (Female)	x2
G	Vertical Support Beam (Male)	x2
H	Horizontal Support Beams	x3
I	Corner Connectors	x2
J	LED Backpanel	x3
K	Transformers	x3
L	SEG/Sock Graphic	x1

LED FORMULATE

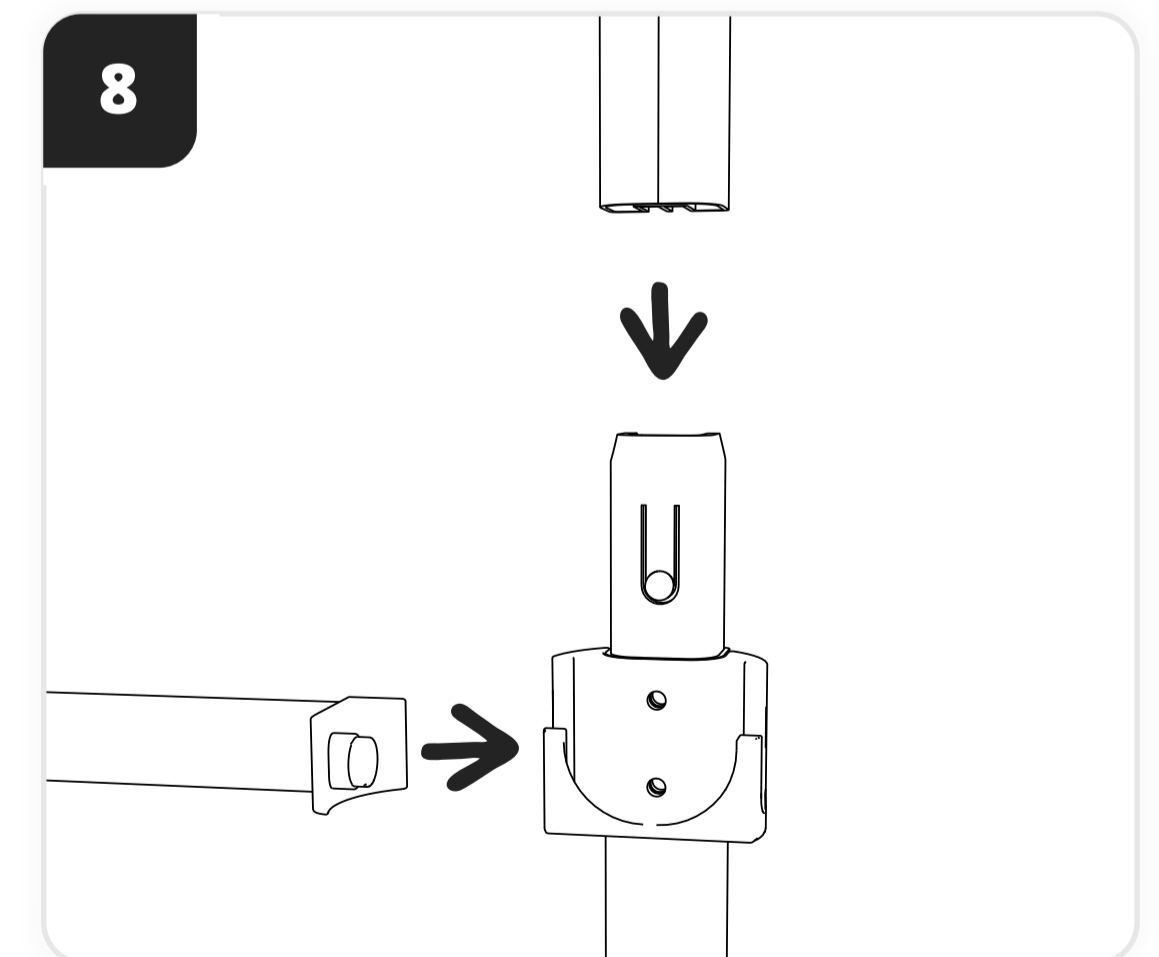
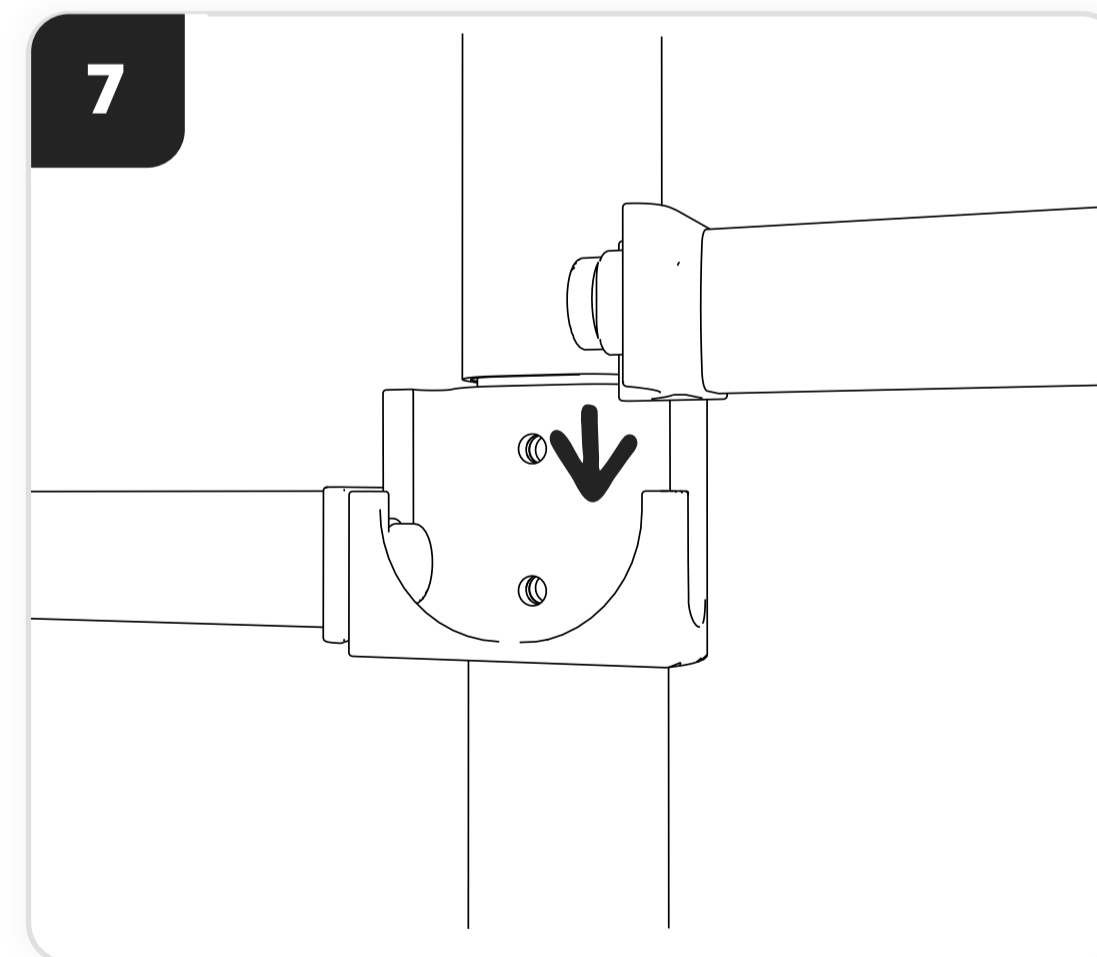
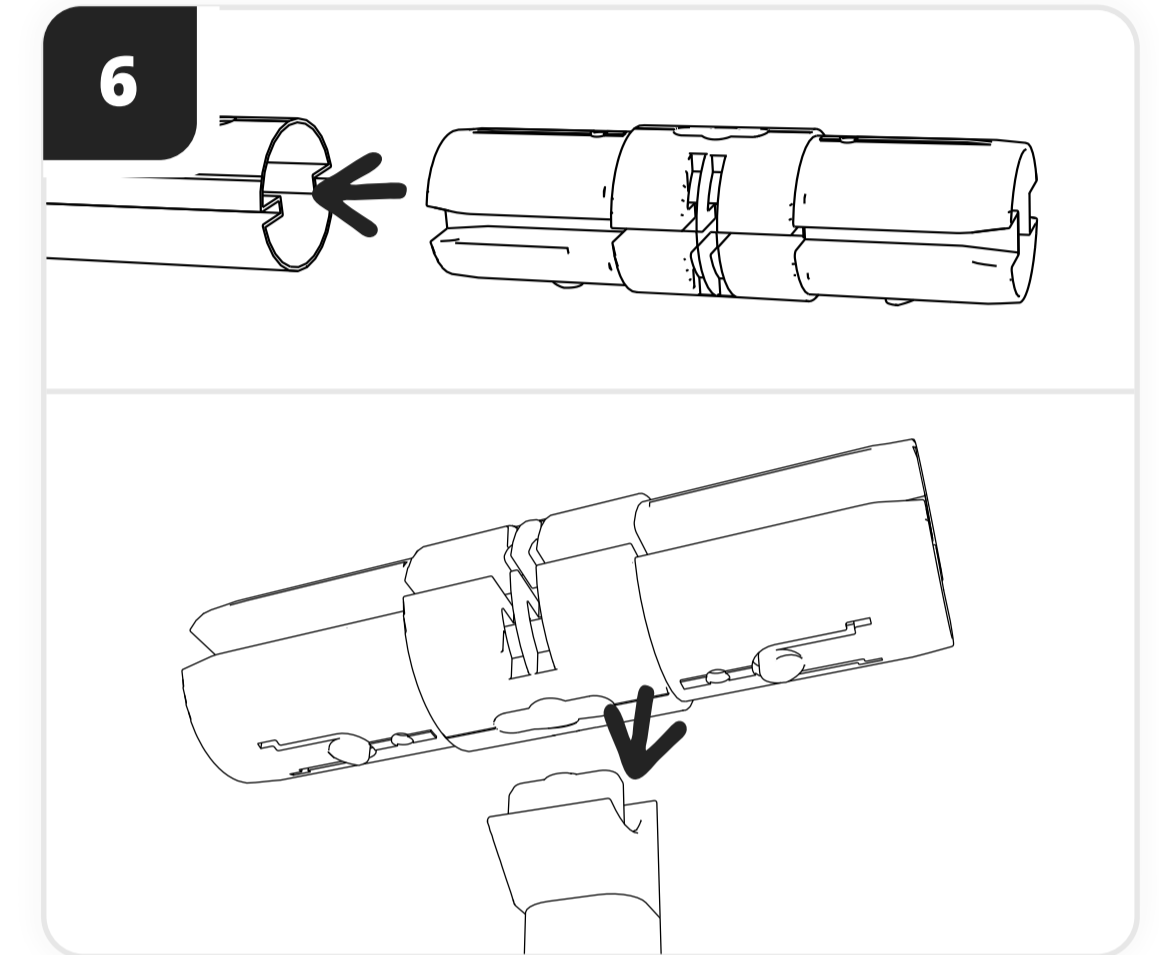
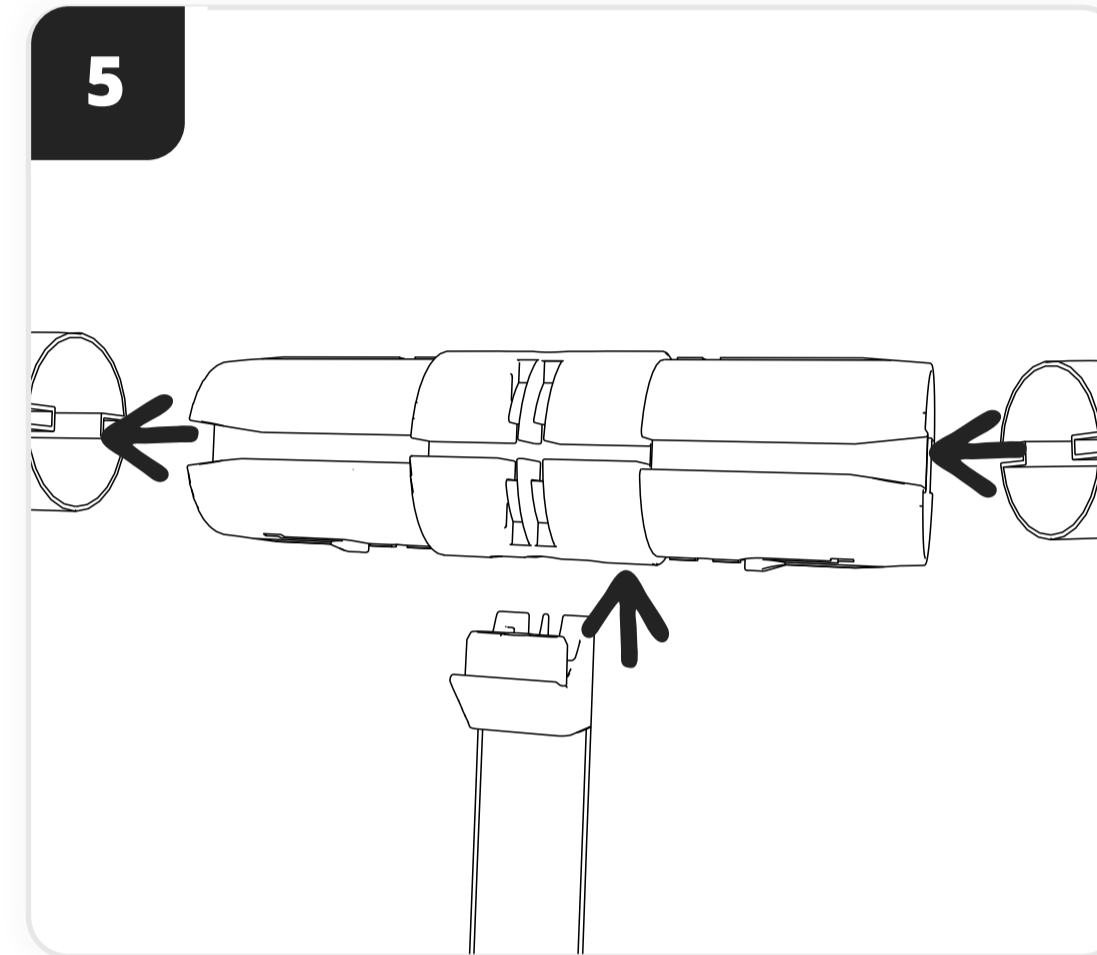
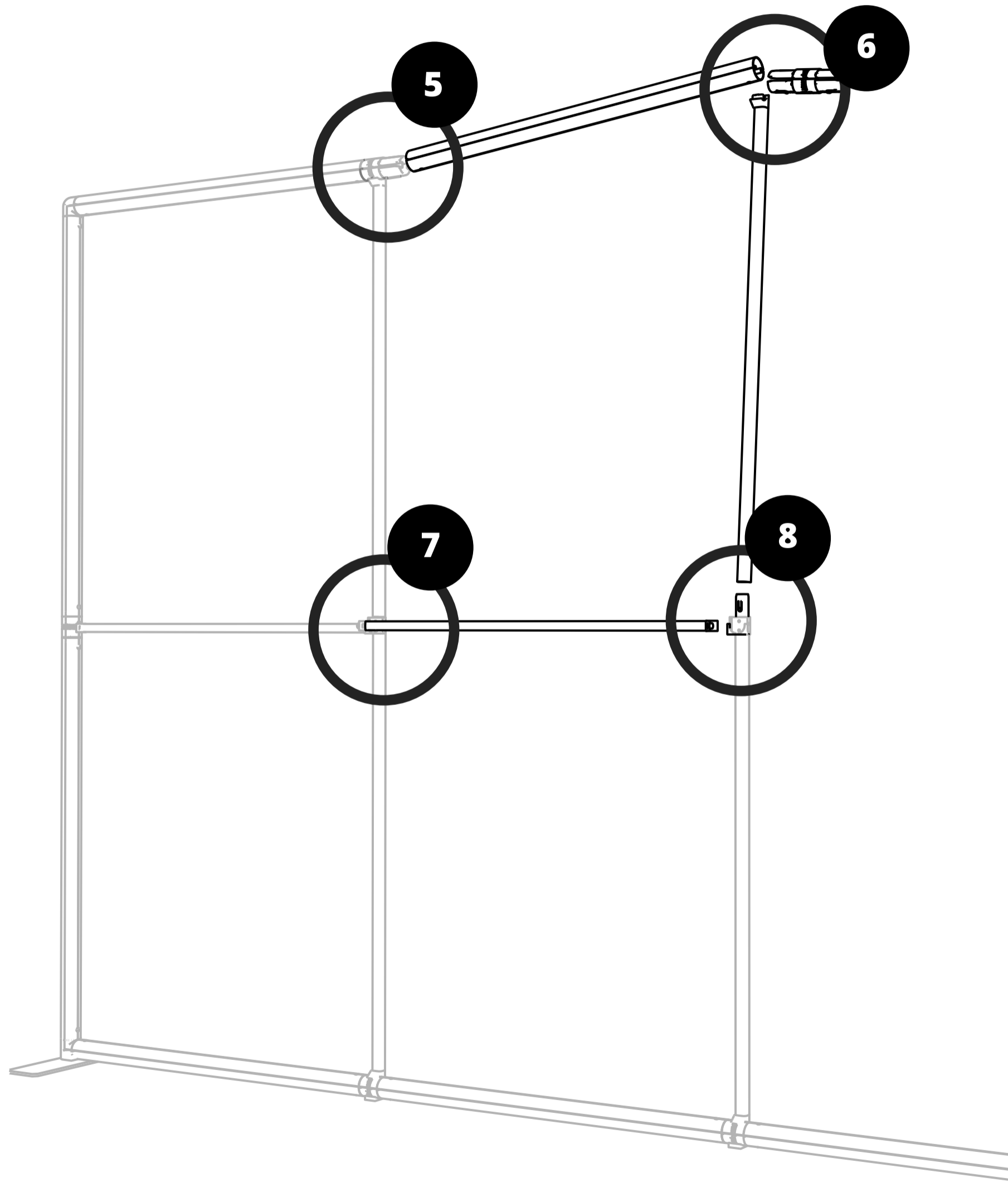


LED FORMULATE

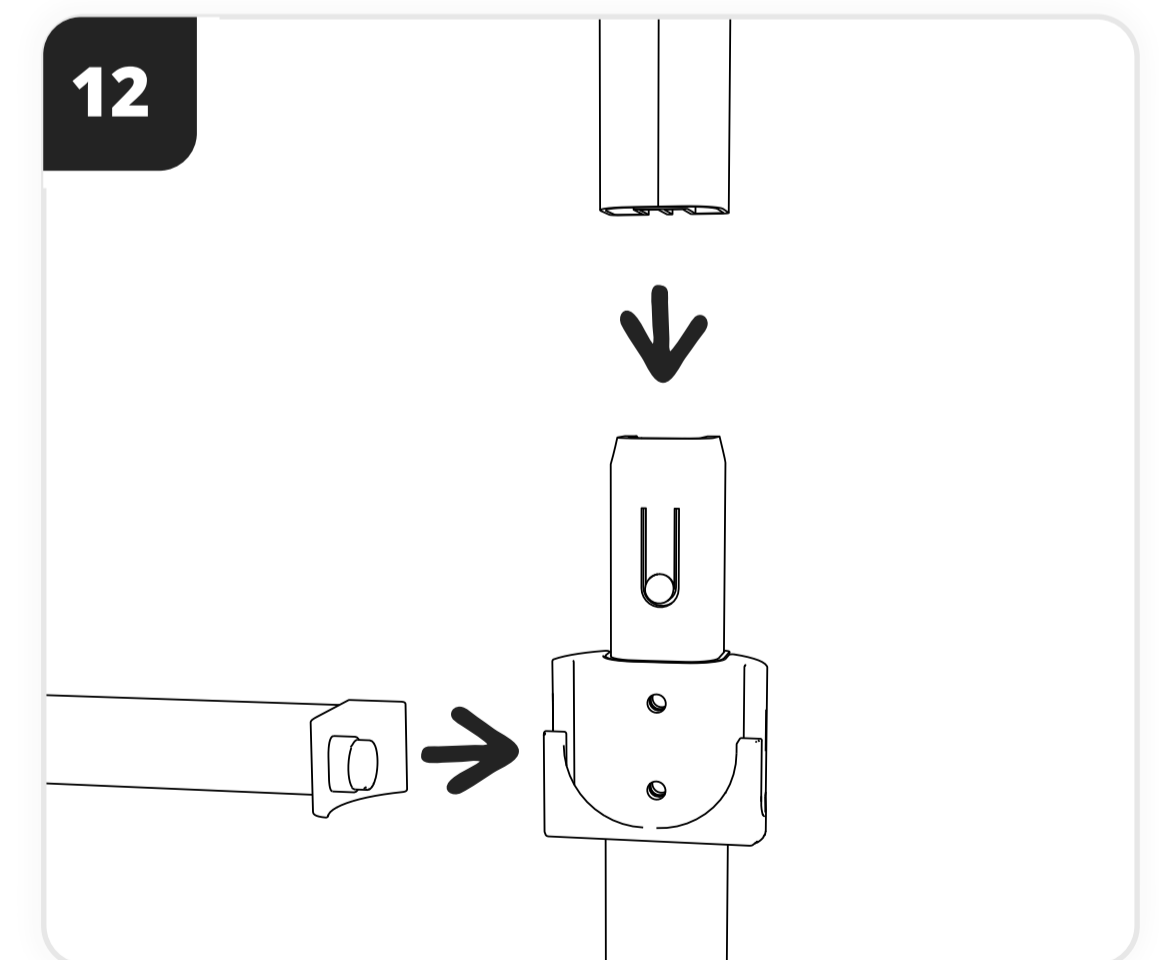
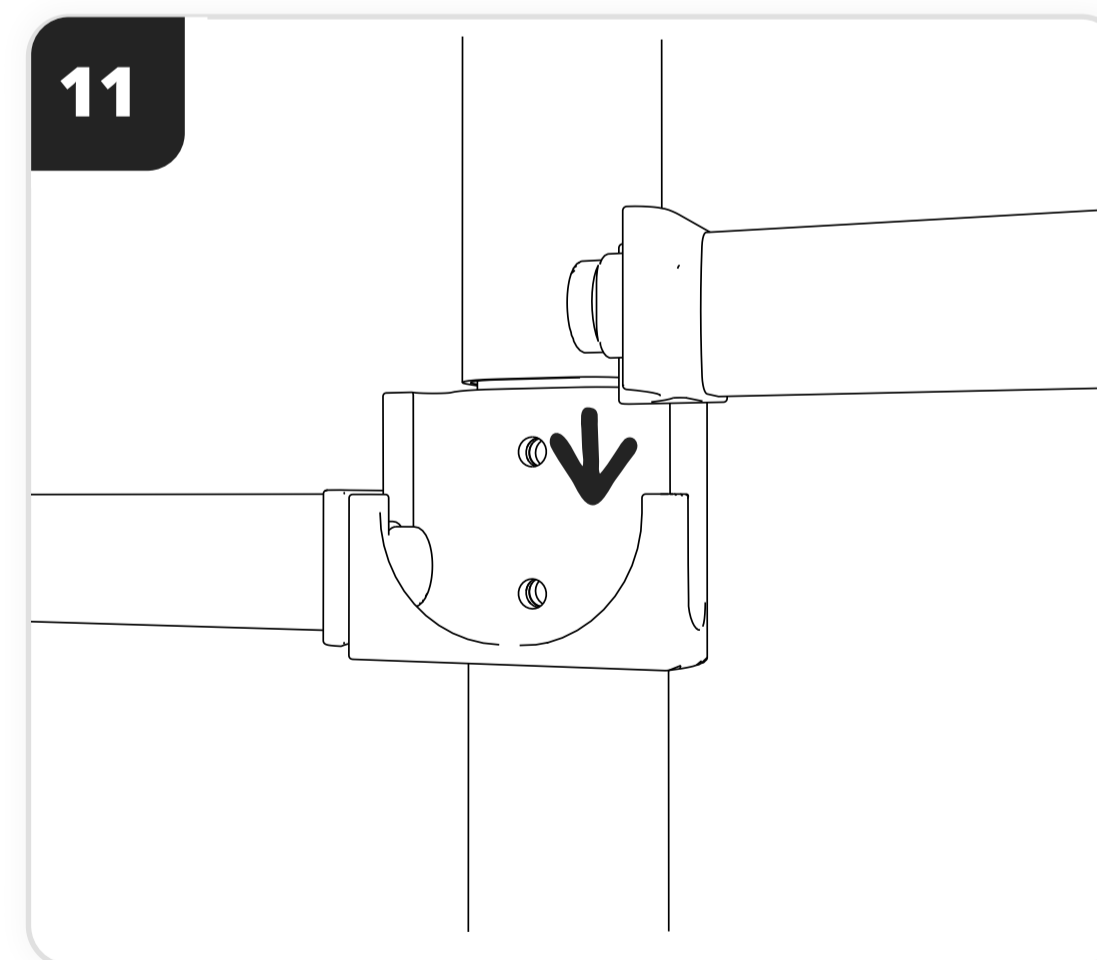
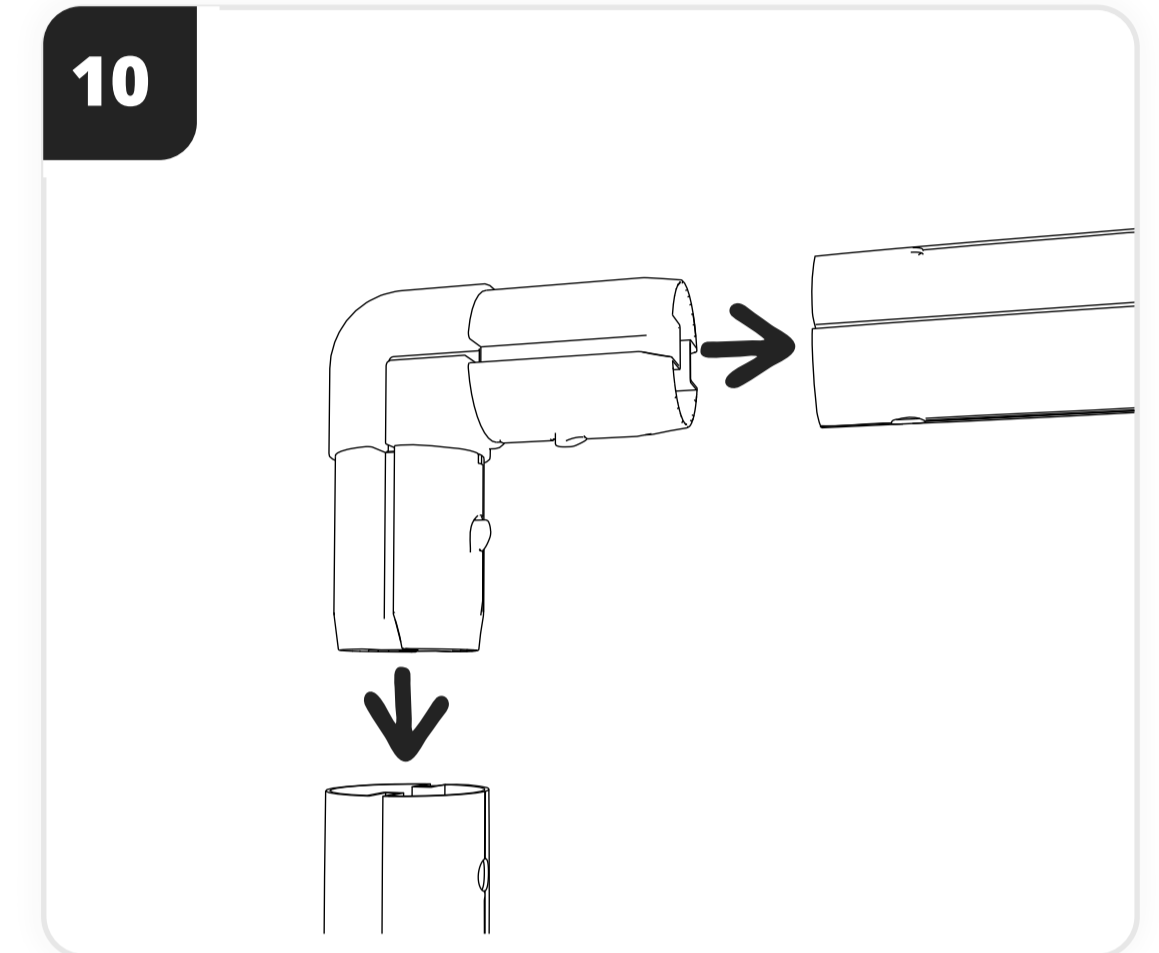
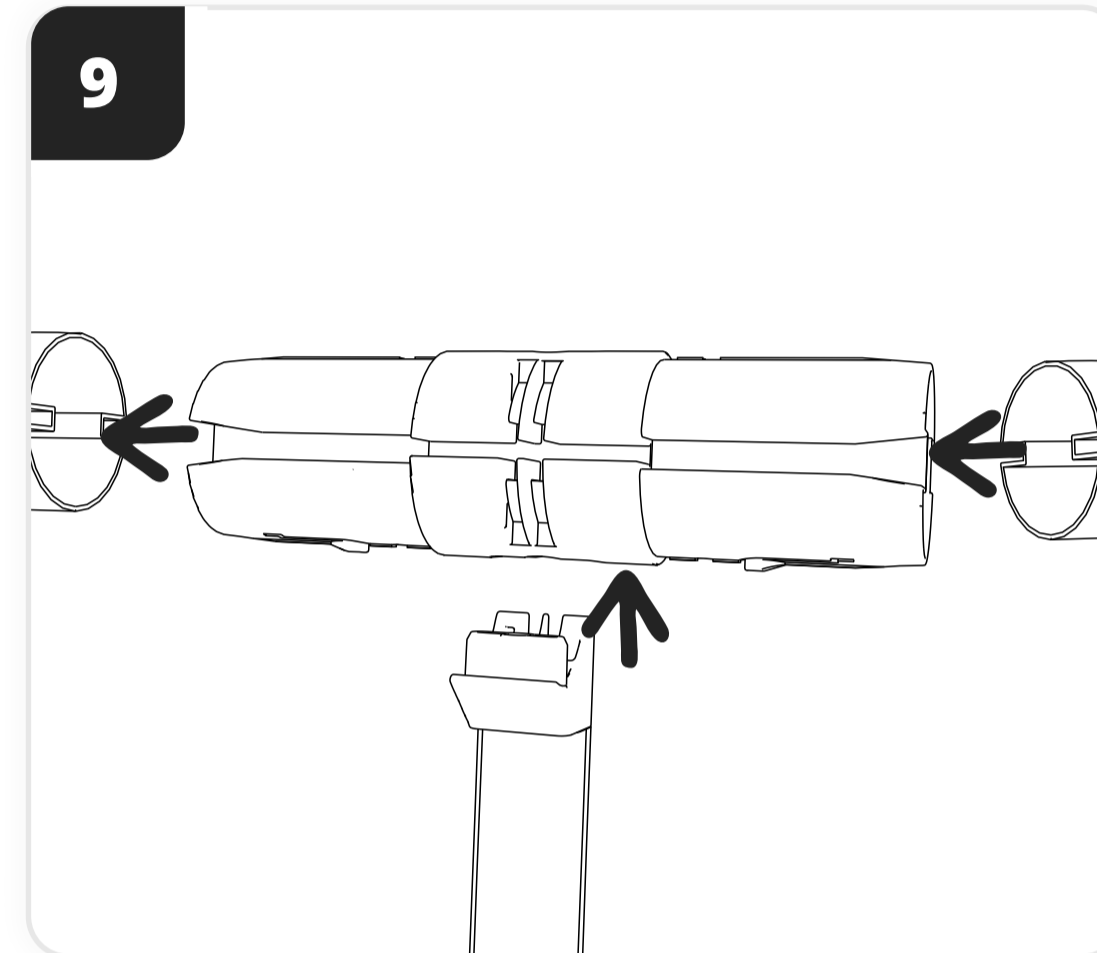
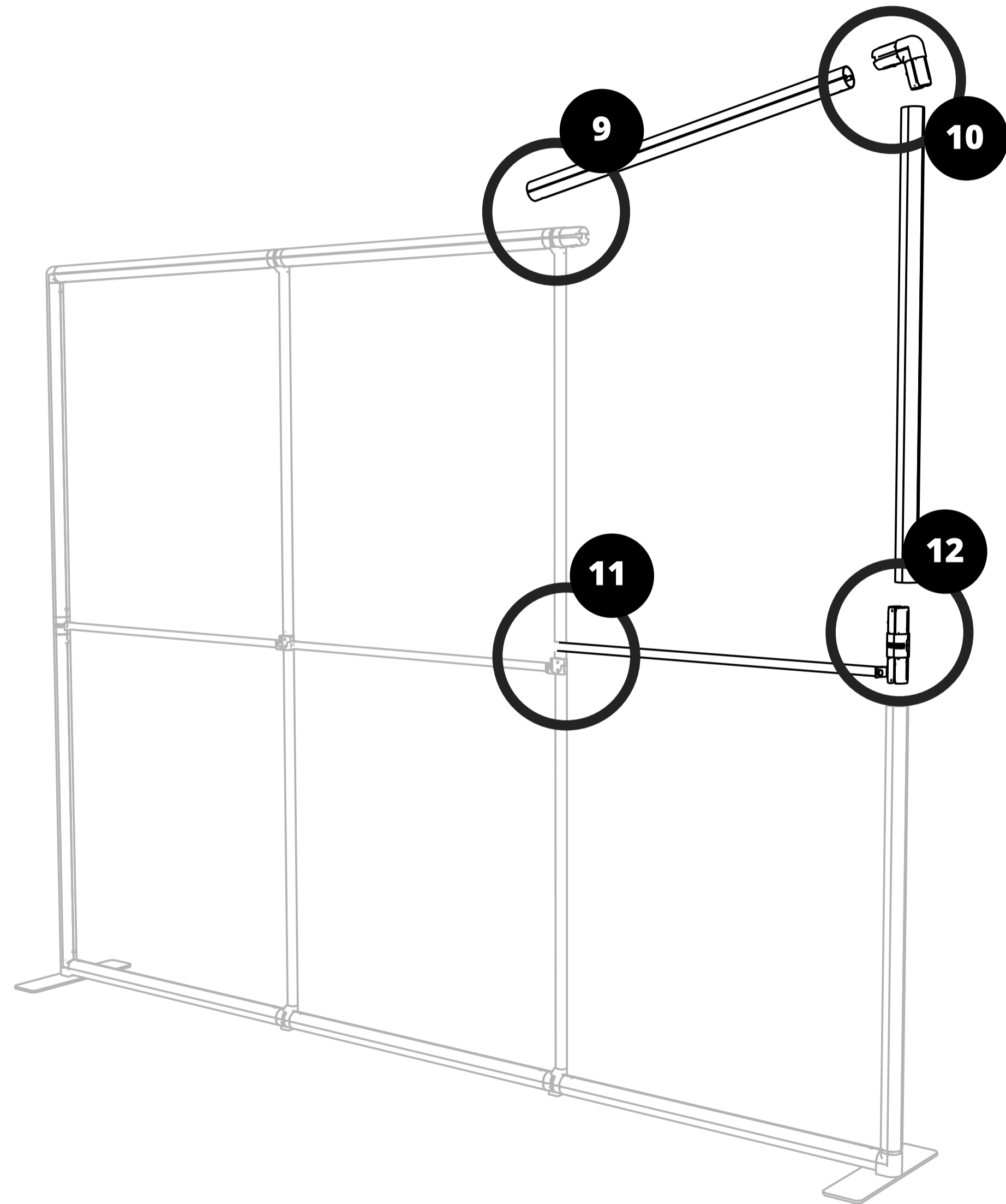


LED FORMULATE

UI



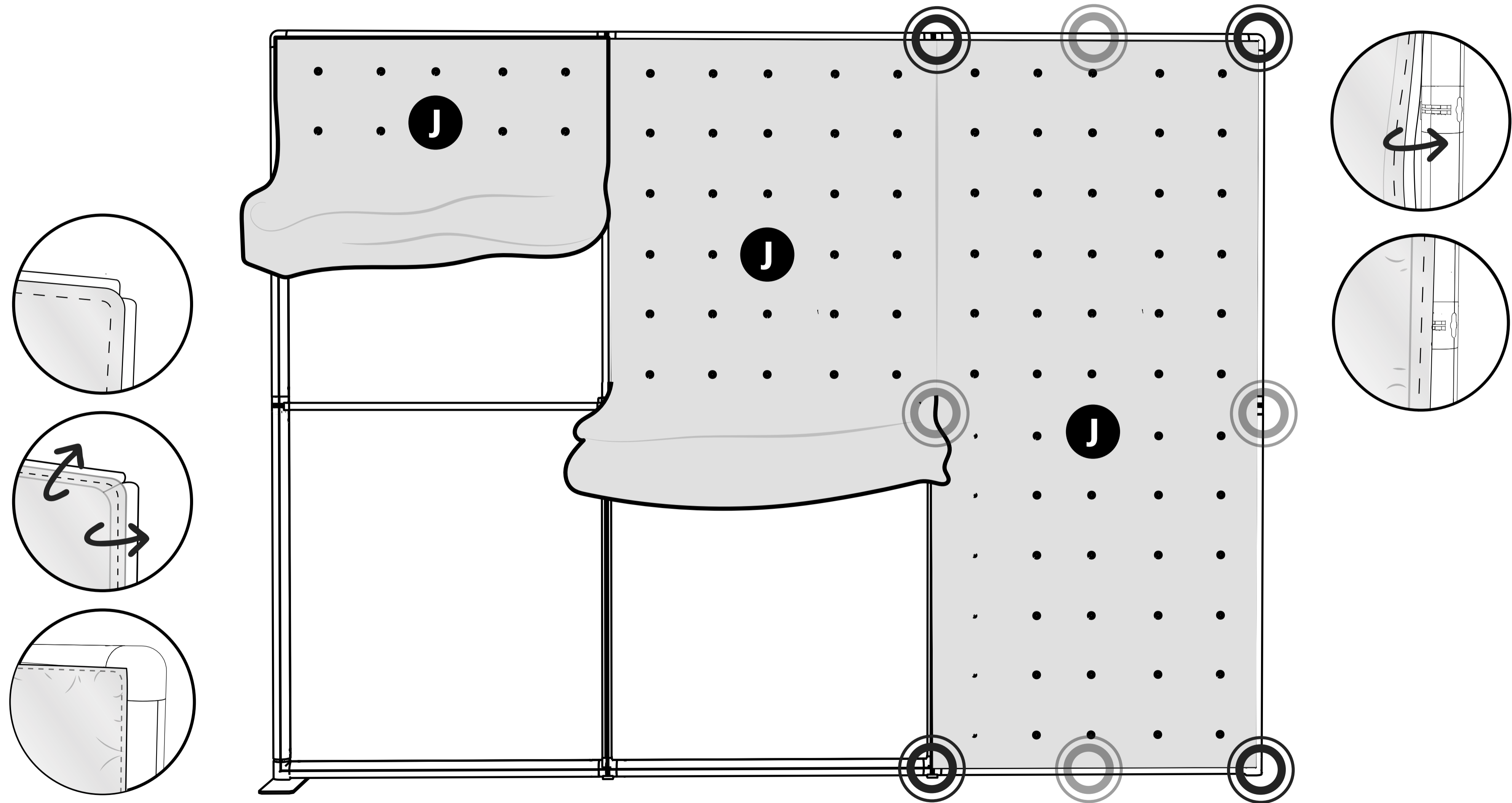
LED FORMULATE



LED FORMULATE

UI

13

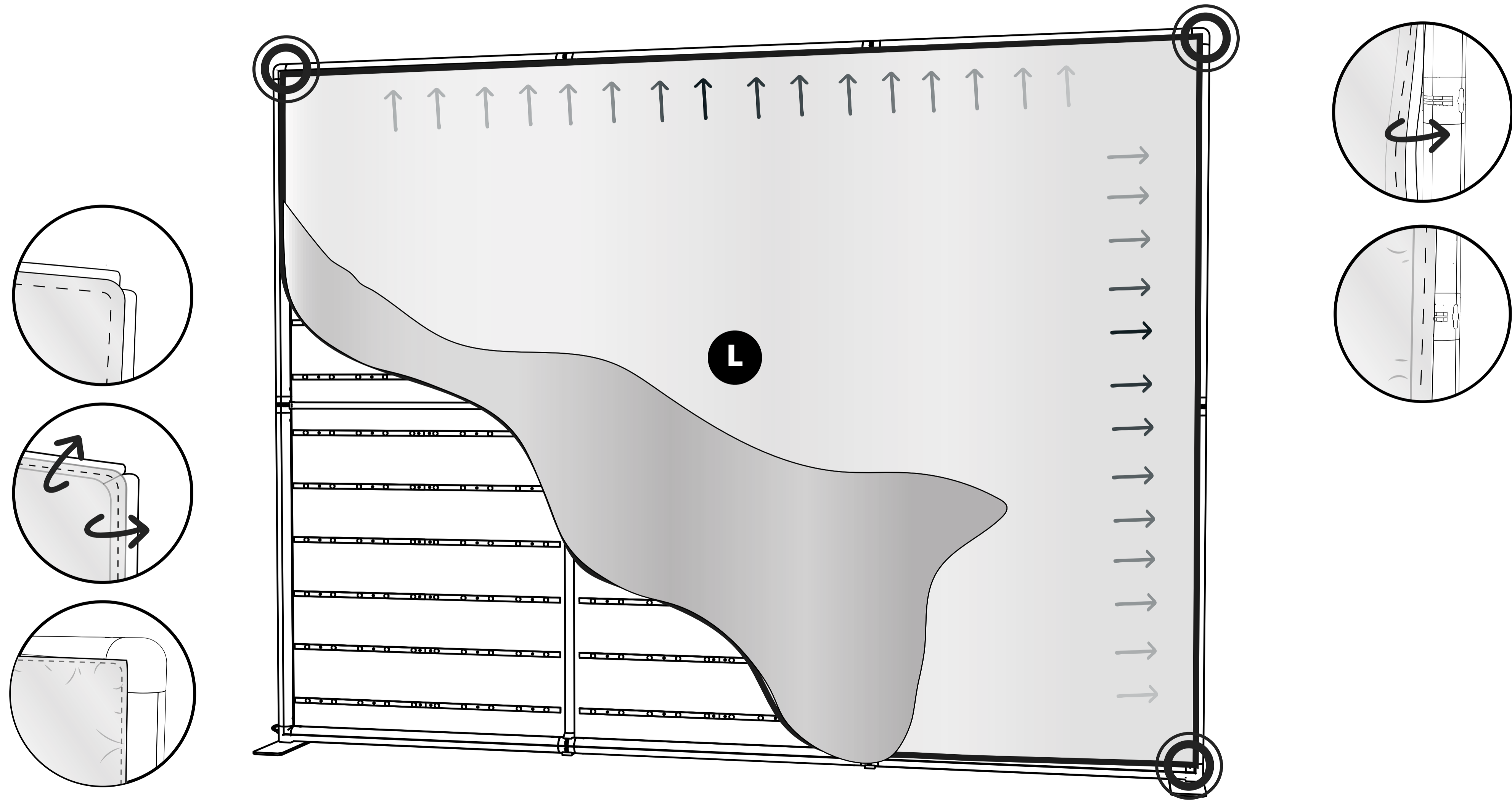


LED FORMULATE

SEG Graphic

UI

14

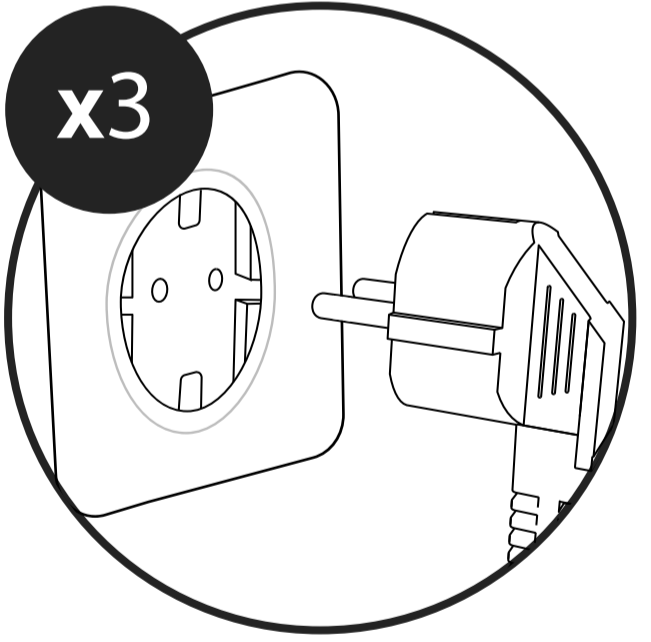
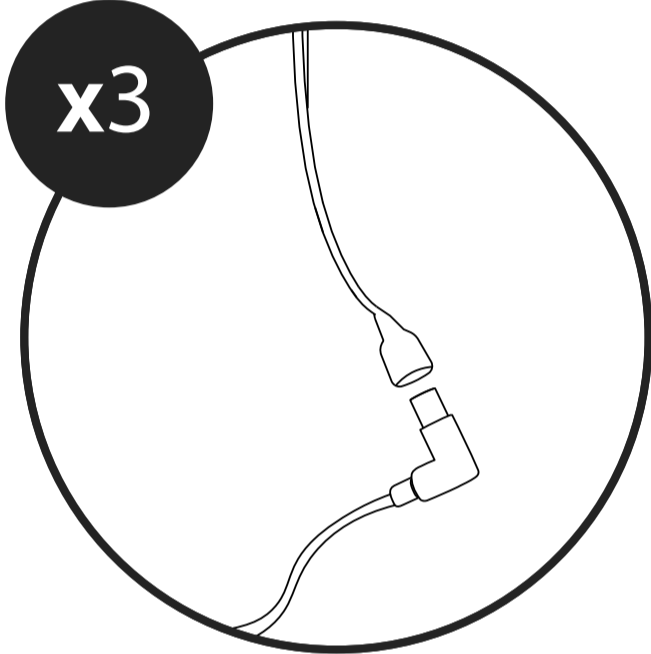
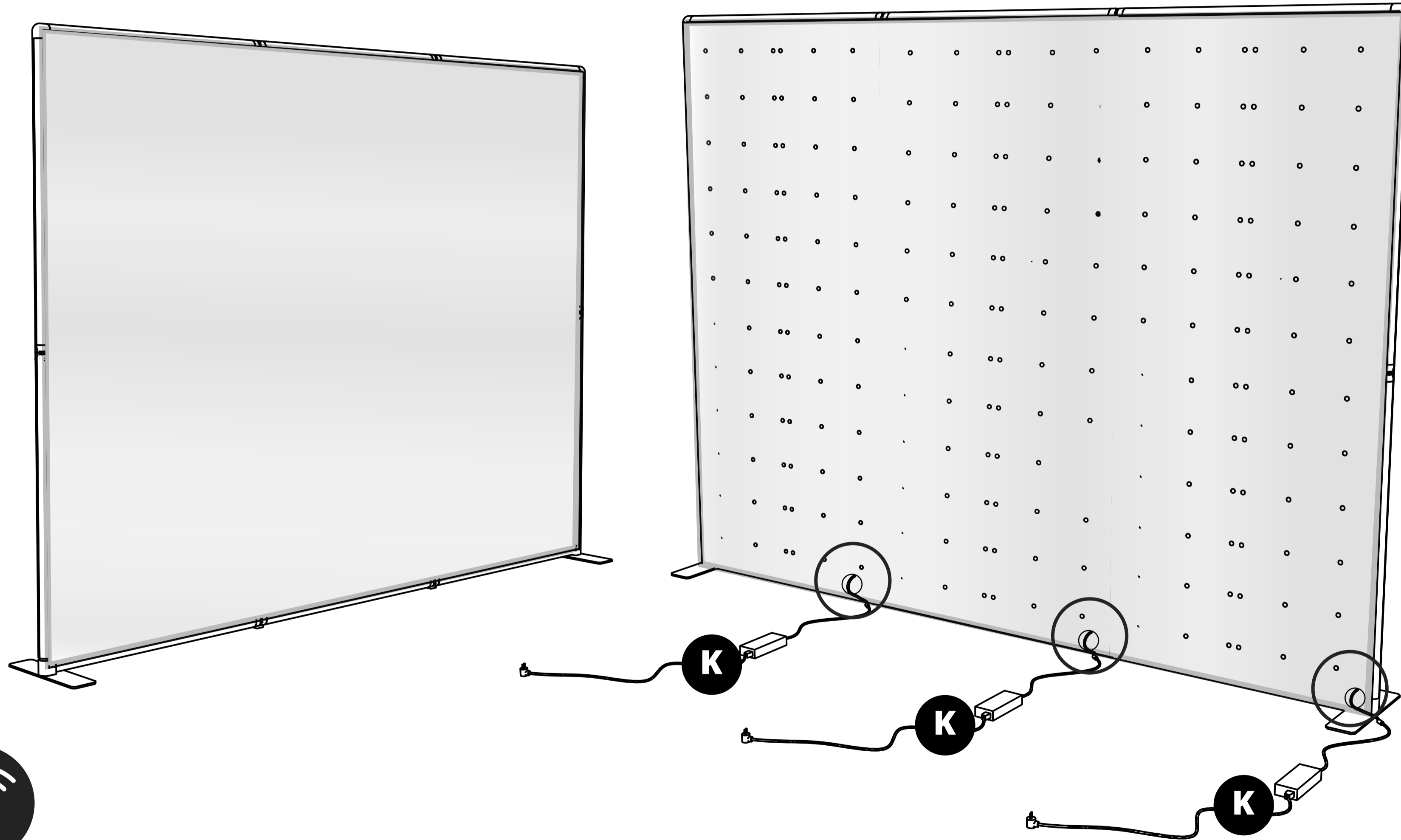


LED FORMULATE



UI

15

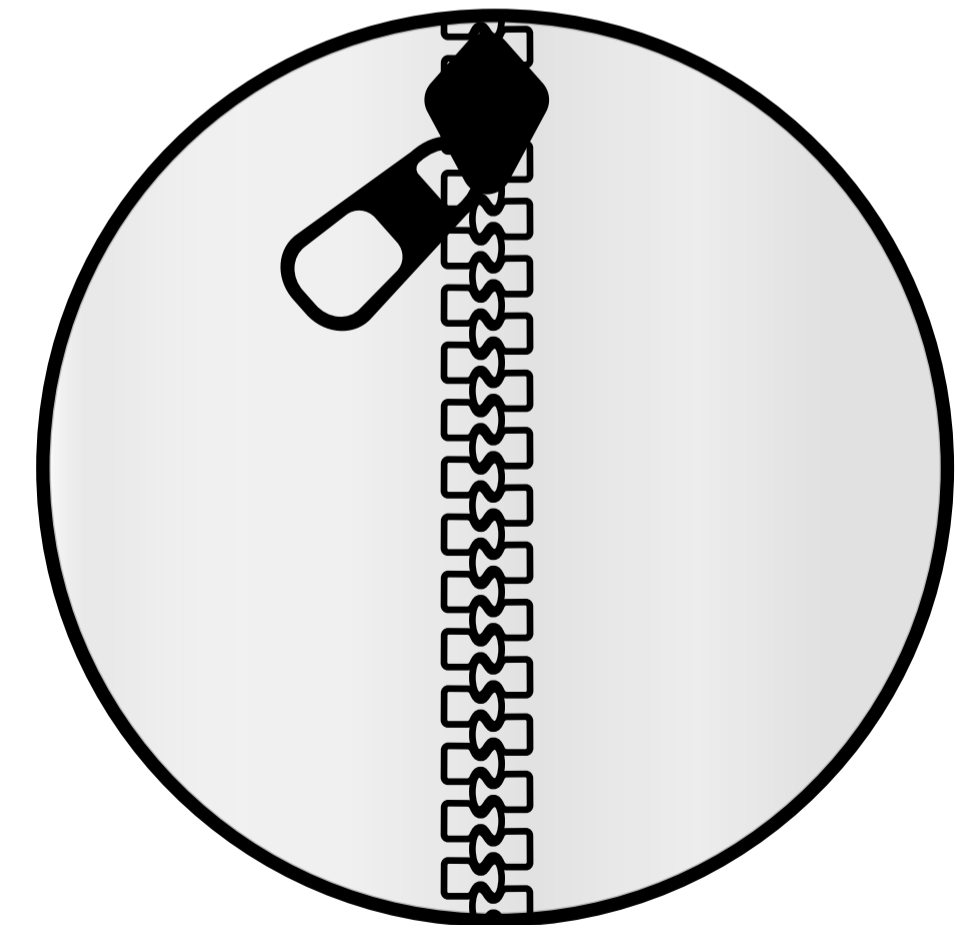
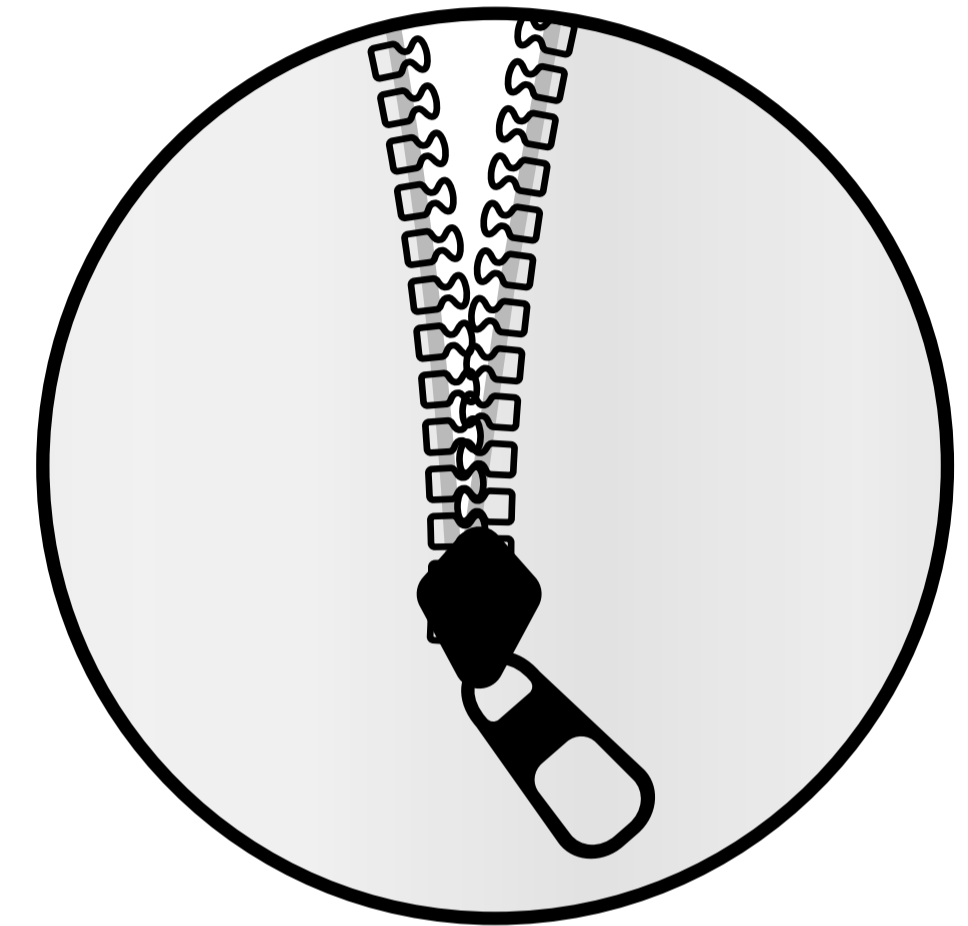
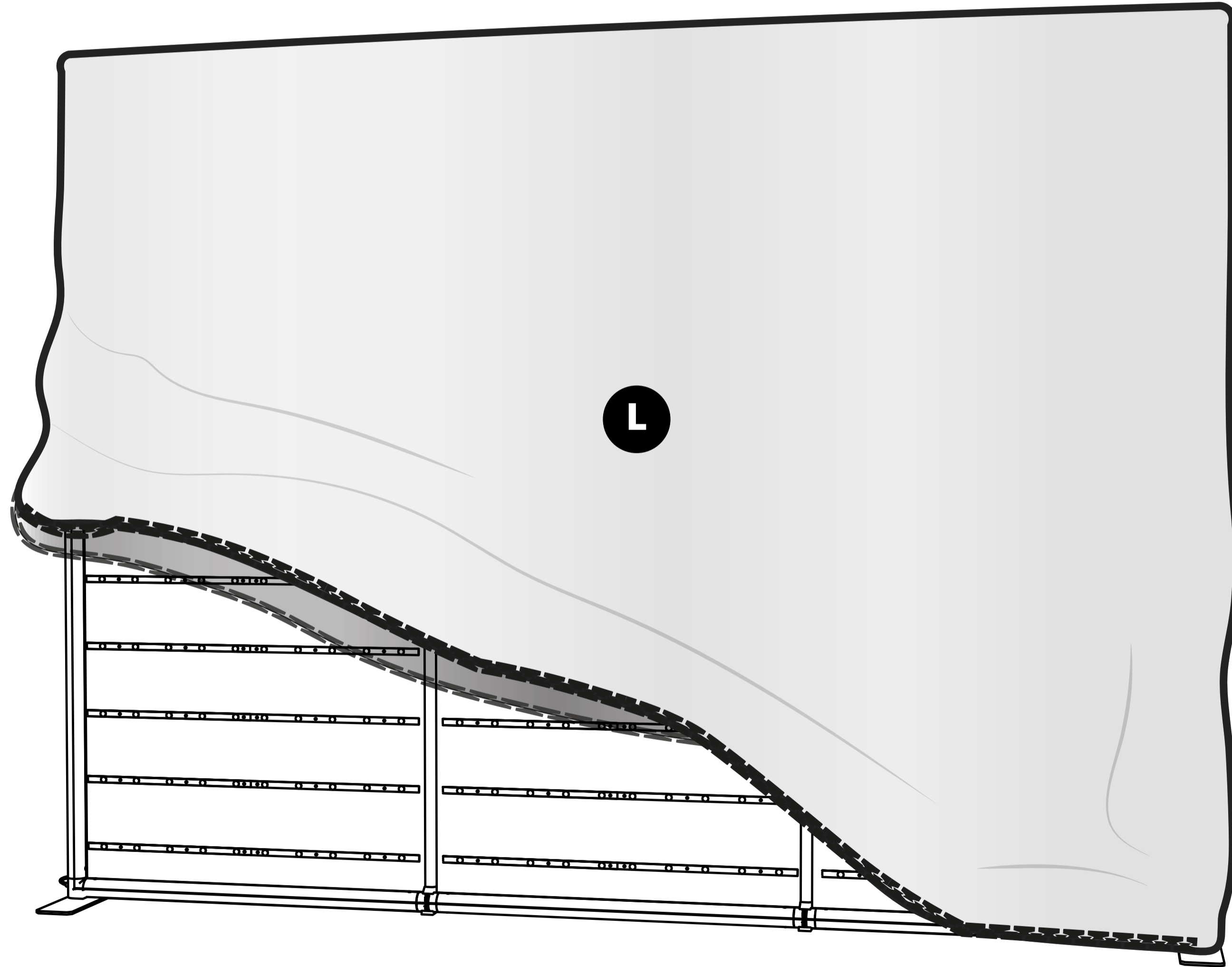


LED FORMULATE

Sock Graphic

UI

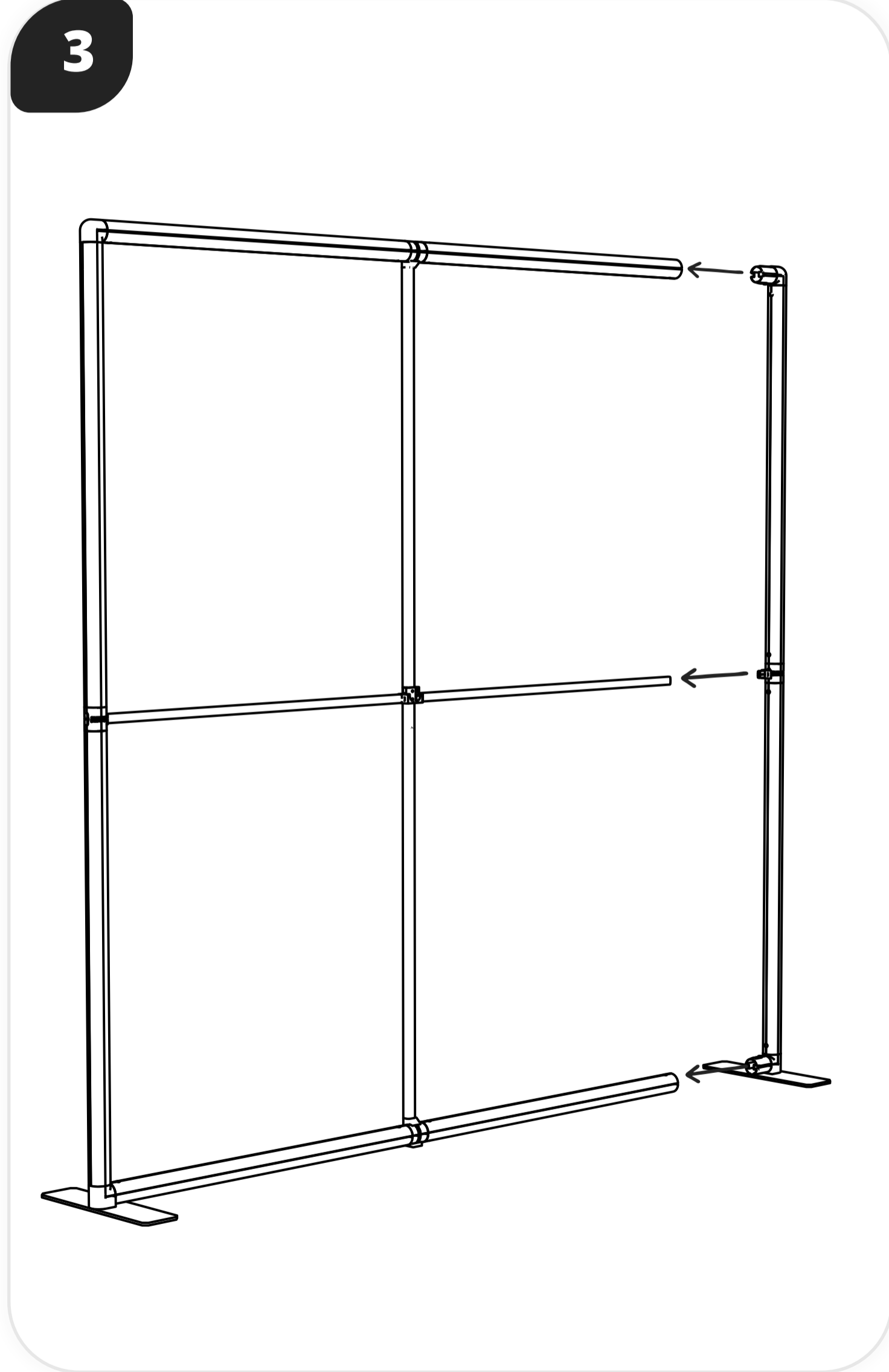
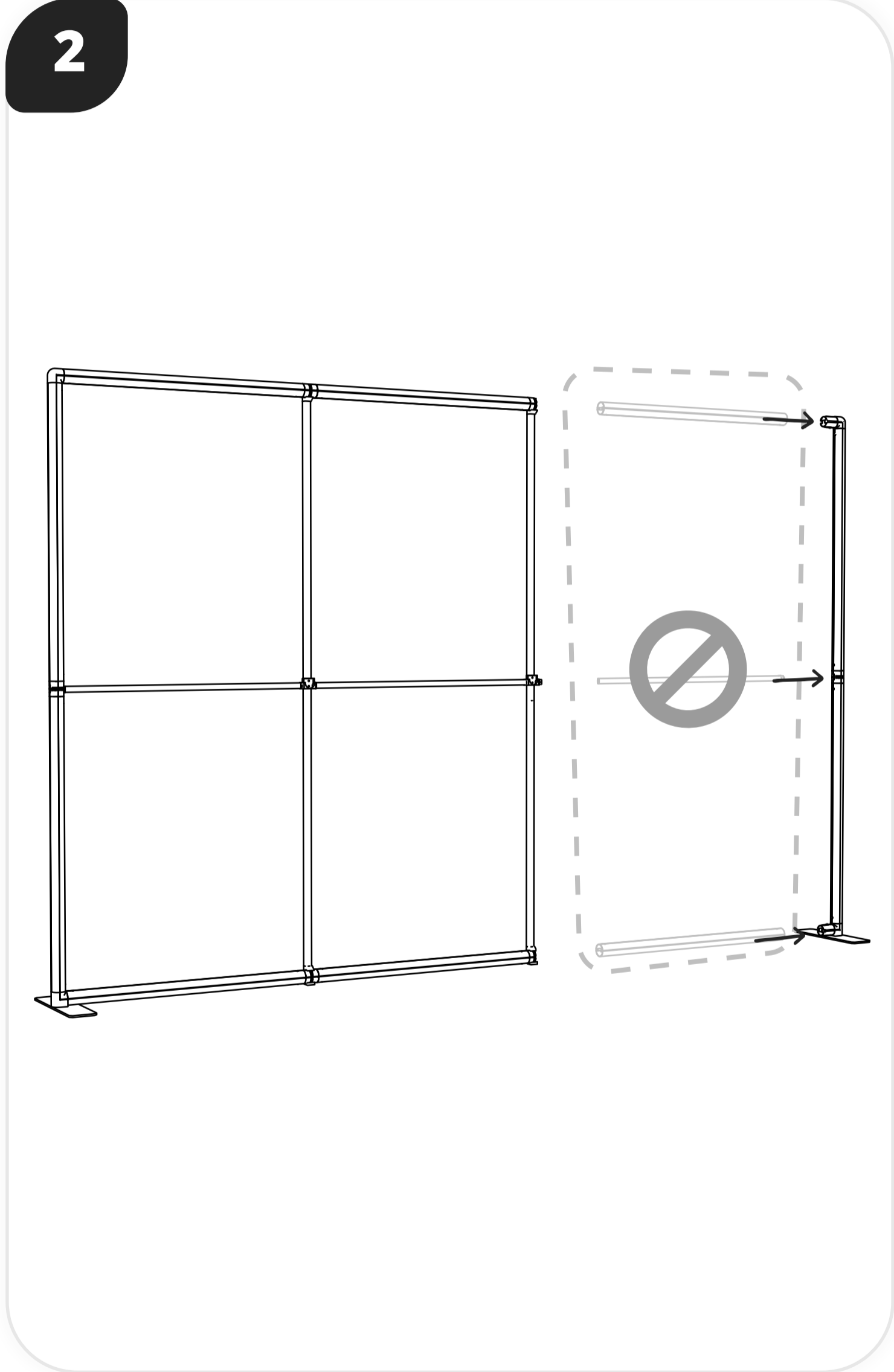
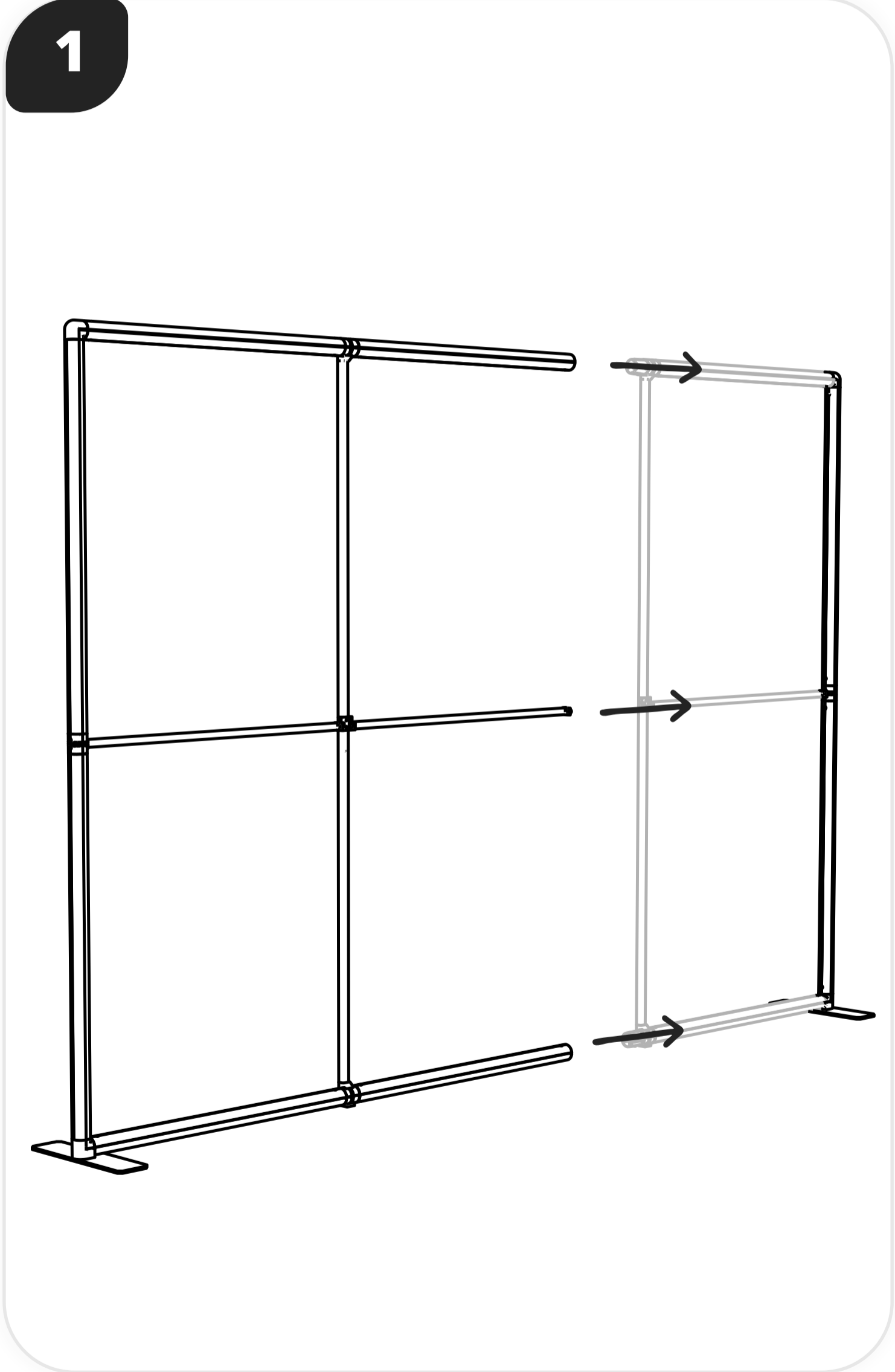
16



LED FORMULATE

Size: 2m W

UI

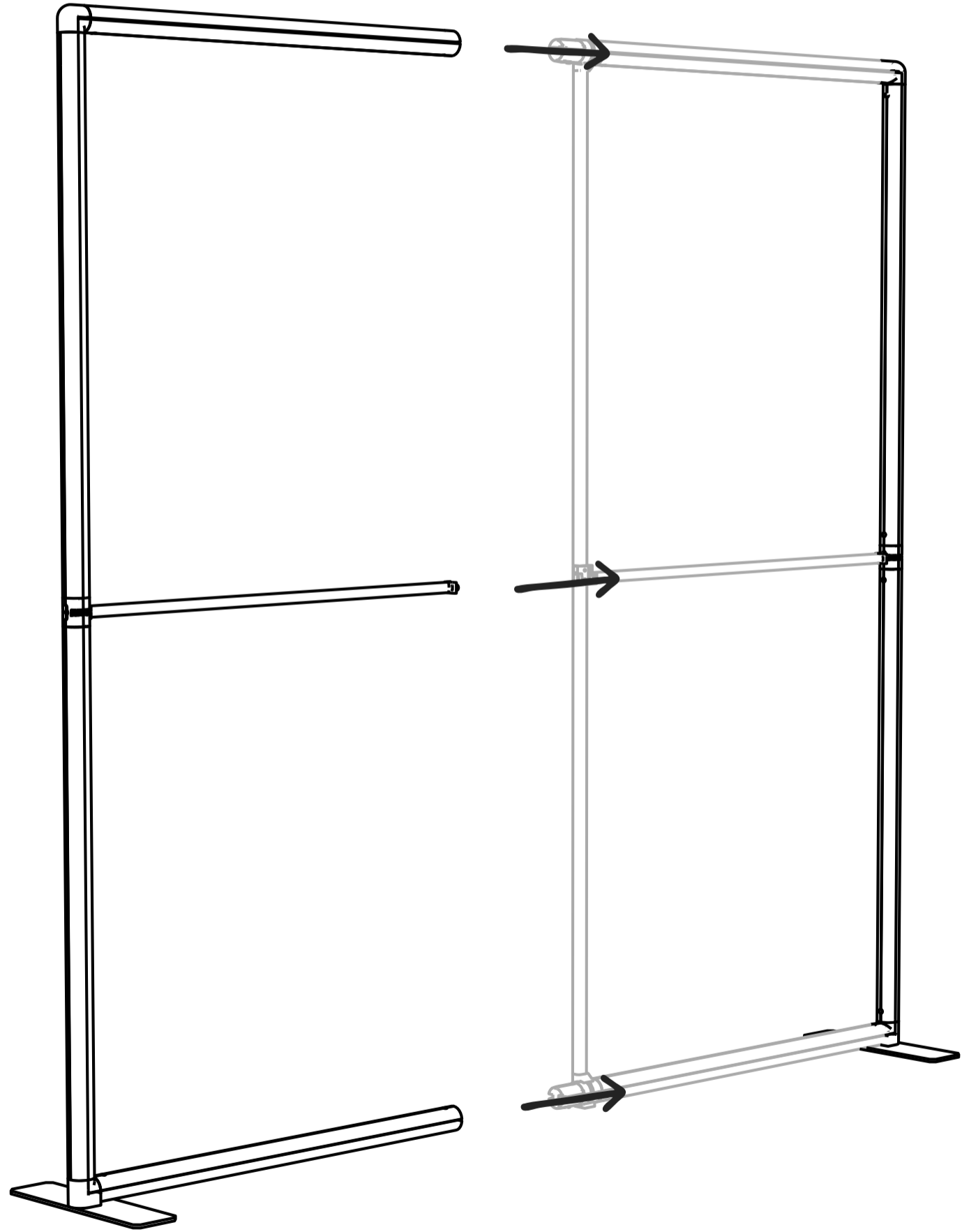


LED FORMULATE

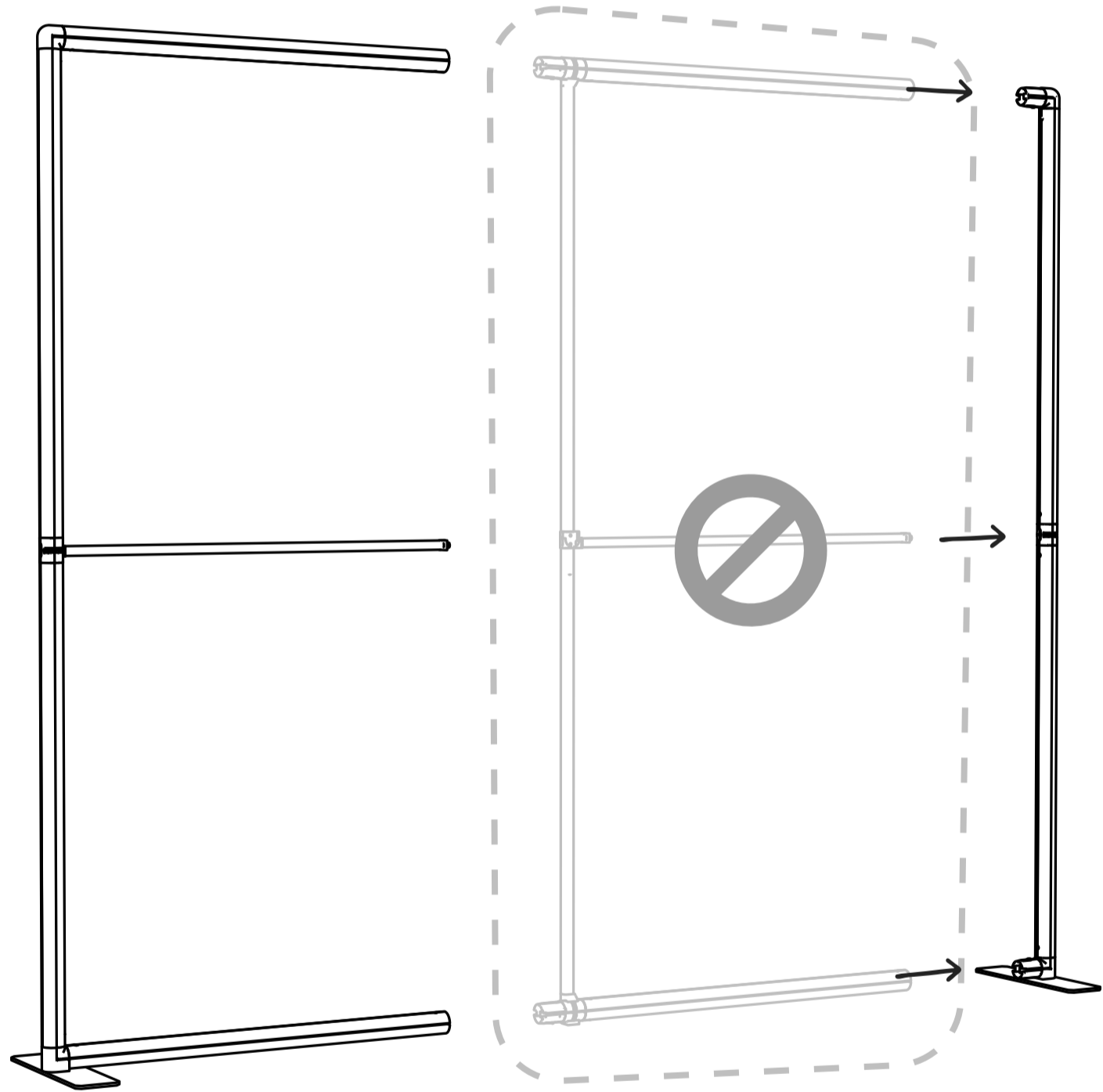
Size: 1m W

UI

4



5



6

